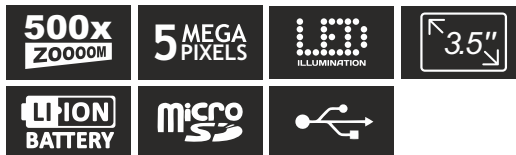


Levenhuk DTX 500 LCD

Digital Microscope



EN	User Manual
BG	Ръководство за потребителя
CZ	Návod k použití
DE	Bedienungsanleitung
ES	Guía del usuario
HU	Használati útmutató
IT	Guida all'utilizzo
PL	Instrukcja obsługi
PT	Manual do usuário
RU	Инструкция по эксплуатации
TR	Kullanım kılavuzu



levenhuk
Zoom&Joy

Levenhuk DTX 500 LCD

Digital Microscope

EN

Microscope parts

- | | |
|---------------------------|-----------------------------------|
| 1 LCD display | 9 Brightness adjustment wheel |
| 2 MicroSD card slot | 10 Magnification adjustment wheel |
| 3 Fine focus knob | 11 Power cable socket |
| 4 Microscope optical tube | 12 RCA socket |
| 5 Stage | 13 USB socket |
| 6 Coarse focus knob | 14 Battery compartment |
| 7 Focus lock knob | 15 Battery status indicator |
| 8 Shutter button | 16 Function keys |

The kit includes: microscope, rechargeable battery, power cable, USB cable, RCA cable, Levenhuk DTX installation CD, cleaning cloth, user guide, calibration scale.

Microscope assembly

Open the battery compartment at the bottom of the microscope base. Insert the battery into the battery compartment matching the indicated polarity. The battery has to be fully charged before turning the microscope on for the first time. Plug the power cable into the power cable socket on the microscope body (11) and connect it to a power source. The battery status indicator (15) will turn red. Once the battery is fully charged, the indicator will go out. You can now disconnect the microscope from the power source and turn it on. The fully-charged battery allows you to use the microscope for two hours. The illumination will grow dim and the image quality will decrease to inform you that the battery is low. Charge the battery, as described above.

A microSD card (purchased separately) is required to save captured images and recorded videos. Turn the microscope off and insert the microSD card into the corresponding slot on the microscope body until it locks in place with a click. Do not apply excessive force when inserting the microSD card. Try rotating the card, if it does not lock in place with ease. Format the card before using it.

To turn the microscope on press the power button (16). To turn the microscope off press the power button (16) again (refer to Power saving for more information).

Never, under any circumstances, look directly at the Sun, another bright source of light or at a laser through this device, as this may cause **PERMANENT RETINAL DAMAGE** and may lead to **BLINDNESS**.

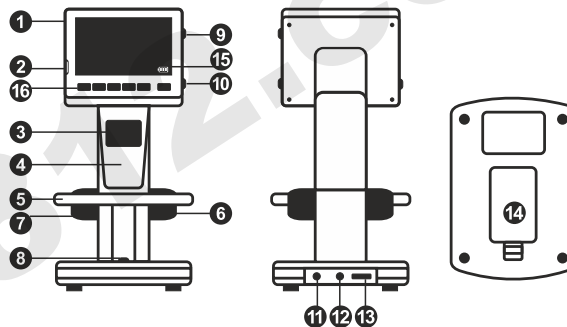


Image capture mode icon



Sequence capture mode icon

00013/01618

Captured image counter/Total number of images that may be captured (based on the current resolution)



MicroSD status icon

5.0M

Current image resolution



Battery status indicator

Note: interface icons may be hidden by pressing the magnification adjustment wheel (10).

Using the microscope

Capturing an image

Turn the microscope on and place a specimen on the stage. Adjust the illumination brightness, so that the specimen is evenly lit. Change magnification and focus your view, if necessary, then lock the results in place with the focus lock knob (7). Press the shutter button (8).

Recording a video

Press the ◀ key (16) to switch to video mode. The icon in the upper left corner of the screen will change in confirmation. Press the shutter button (8) to start recording and press it again to stop.

Playing recorded videos

Press the ◀ key (16) to switch to playback mode. The icon in the upper left corner of the screen will change in confirmation. Select the desired video clip with scroll keys (16) and press **OK** to play it.

Deleting files

When browsing saved files, press the **Wrench** key (16), select **Delete...** press **OK** to confirm selection (you can choose to delete everything or just the selected file from the displayed menu).

Protecting files

When browsing saved files, press the **Wrench** key (16), select **Protect** press **OK** confirm selection (you can choose to protect everything or just the selected file from the displayed menu).

Slideshow

When browsing saved files, press the **Wrench** key (16), select **Slide Show** and press **OK** to confirm selection.

Interface color mode

When browsing saved files, press the ▲ key to switch between existing interface color modes.

Magnification

Scroll the magnification adjustment wheel (10) to zoom your view in or out.

Note: magnification range of Levenhuk DTX 500 LCD is 1—4x.

Transferring files to a computer

Connect the microscope to your computer with a USB cable and, when the AutoPlay window appears, choose to use the microscope as an external storage device.

Main menu

Press the **Wrench** key (16) to open the main menu. From this menu you can set image resolution, adjust image quality and sharpness, as well as set parameters for sequence capture.

Resolution

Select **Resolution** the main menu choose the required image resolution. Press **OK** to confirm selection.

Note: model supports the following resolutions: VGA / 1.3M / 3M / 5M / 8M / 12M.

Sequence capture

Select **Timer** from the main menu and set the total number of images to be captured in the **Frames** dialog window. Confirm your selection by pressing **OK**. A new dialog window will appear where you can set the interval between images using the ▲ and ▼ keys. Press **OK** to confirm and ◀ to return to capture mode. Press the shutter button to start capturing images. The icon in the upper left corner will change in confirmation. Once the set number of images has been captured, the screen will return to standard capture mode. Press the shutter button at any time to stop sequence capture.

Quality

Select **Quality** from the main menu and choose one of the existing settings. This will change the compression rate of captured images.

Sharpness

Select **Sharpness** from the main menu and choose one of the existing settings.

Language

Select **Language** from the main menu and choose one of the existing settings. Press **OK** to confirm selection.

Power saving

Select **Power Save** from the main menu and set the idle time before the microscope automatically shuts down.

Display frequency

Select **Frequency** from the main menu and choose one of the existing settings. Press **OK**

Date and time display

Select **Date Stamp** from the main menu and choose one of the existing settings. You can opt to display the date or both date and time. Press **OK** to confirm selection.

TV connection

Select **TV Out** from the main menu and choose one of the existing settings. Press **OK** to confirm selection.

Date and time

Select **Date/Time** from the main menu and set the current date and time. Press **OK** to confirm entry. You can also choose one of the following date formats: YY/MM/DD, DD/MM/YY or MM/DD/YY.

Format SD card

Select **Format SD** from the main menu to format the installed memory card.

Settings reset

Select **Sys. Reset** from the main menu to revert back to factory settings.

Hardware version

Select **Version** from the main menu to check the current hardware version.

Connecting the microscope to a TV-set

Plug the RCA cable into the microscope and connect it to your TV-set (refer to the User Guide of your TV-set for additional information). Turn on the TV and select the correct channel from the corresponding menu of the TV-set (refer to the User Guide of your TV-set for additional information).

PortableCapture Pro software

Insert the installation CD into your CD drive. The Main Menu window will be displayed. Select **PortableCapture software** to install the PortableCapture Pro application. Keep in mind that a system restart will be required during installation. The installation CD contains a copy of this User Guide, which you can read by clicking the corresponding entry in the Main Menu.

Connect the microscope to your PC with a USB cable and run the PortableCapture Pro application. A pop-up message will warn you if the microscope is not connected to the PC.

Note: function keys are disabled when the microscope is connected to a computer as a camera. The microscope is operated through the PortableCapture Pro application. All the images and videos will be saved to the computer's hard drive.



Capture an image



Start and stop video recording



Sequence capture (you can set the time to begin capturing images or videos, interval between them, video duration and the number of images or videos to be captured)



Full screen mode. To exit full screen mode, press **Escape** on your keyboard or double-click anywhere on the screen



Save as



Draw



Copy to clipboard



Text



Copy file



Measurement



Previous image



Calibration



Next image



Undo the last action



Repeat the last action

File

Photos Directory: set a directory for captured images.

Videos Directory: set a directory for recorded videos.

Options

Resolution: set image resolution.

Date/Time: hide or display date and time of capture during preview.

Language: change the language of the user interface.

Crossing: hide or display a grid on images.

Full screen mode: go full screen.

Capture

Photo: capture an image.

Video: record a video.

Capturing an image

Click the corresponding icon on the toolbar or select **Photo** from the **Capture** menu.

Recording a video

Click the corresponding icon on the toolbar or select **Video** from the **Capture** menu.

Sequence capture

Click the corresponding icon on the toolbar. A dialog window will appear where you can set a number of parameters for sequence capture. Click the **Photo** radio button to set the time to begin capturing images, interval between them and the total number of images. Click the **Video** radio button to set the time to begin recording videos, their duration, interval between them and the total number of clips.

Calibrating

Before calibrating the microscope, turn the grid display on. To do so, select **On** from **Options > Crossing**. By default, the grid is visible. Place the calibration scale on the stage and focus your view. Make sure that the vertical axis of the grid is parallel to scale divisions and capture an image. Double-click the image thumbnail to open it in a separate window.

Click the corresponding icon on the toolbar to begin calibration. Using your mouse, choose two points on the image (you have to know the actual distance between these two points). Once you choose the second point, a dialog window will open, where you have to enter the known distance in the **Actual dimension** field. The application will automatically calculate the magnification of the image. Click **OK** to close the dialog window. The calculated magnification will be displayed in the **Magnification** field.

Note: chosen points should form a horizontal line.

You can check calibration results by measuring the same distance with the **Any Angle Line** tool. Click the measurements icon, choose the **Any Angle Line** tool and draw a similar line on the image. If the measured distance is equal to the actual distance, calibration has been successful.

Recalibration

The calibration process has to be repeated if the magnification or focus has been changed during observations.

Click the corresponding icon on the toolbar again and select **Reset picture magnification** from **Reset magnification**. Repeat the calibration process, as described above. Change the magnification and capture a few images. Double-click one of the thumbnails to open the resulting image in a preview window. Click the calibration icon on the toolbar and select **Set picture magnification** from **Set magnification**. Enter the current magnification in the dialog window that appears and click **OK**.

If you want to use the same magnification when capturing images in the future, click the calibration icon on the toolbar and select **Set capture magnification** from **Set magnification**.

Measurements

It is recommended to calibrate the system before proceeding with measurements.

Any Angle Line. Press and hold the left mouse button to start drawing a line. Release the left mouse button to complete the line.

Continuous Line. Use this tool to draw a curve on the image and measure its length.

Radius Circle. Draw a straight line on the image. The application will automatically calculate the radius, as well as circumference and area of the corresponding circle.

Diameter Circle. Draw a straight line on the image. The application will automatically calculate the diameter, as well as circumference and area of the corresponding circle.

Three Points Angle. Place three points on the image with your mouse. The application will automatically calculate the angle value.

Draw and text

PortableCapture Pro allows you to add drawings and textboxes to your images. Open an image in a preview window and click the **Pencil** icon on the toolbar. Select one of the tools from the drop-down menu and draw something on the image. By clicking the **TT** icon on the toolbar, you can edit font type and color to be used in textboxes.

Working with the application for Mac OS users

Browse to the **mac** folder on the installation CD and copy **PortableCapture Pro** file to the desktop. Use a USB cable to connect the microscope to your computer. Run the PortableCapture Pro application by double-clicking its icon.

A magnified image of the observed specimen may be seen in the main window of the application. From the **Options** menu, select **Preview Size** to set the image resolution. Keep in mind that the preview window cannot be resized (standard resolution is 640x480). The image resolution is shown in the bottom left corner of the preview window.

From the **Options** menu, select **Date/Time** to display or hide the date and time of capture during preview.

Click the corresponding icon on the toolbar or select **Photo** from the **Capture** menu to capture an image. An image thumbnail will appear on the right side of the main window. Click the corresponding icon on the toolbar or select **Video** from the **Capture** menu to start recording a video. A video thumbnail will appear on the right side of the main window.

Note: during recording, the camcorder icon on the toolbar will turn red. Click the icon again to stop recording.

Image and video thumbnails are displayed on the right side of the main window of the application.

Double-click an image thumbnail to open it in a separate preview window.

Editing images with PortableCapture Pro application is similar to working with other applications in Mac OS.

Care and maintenance

Never, under any circumstances, look directly at the Sun, another bright source of light or at a laser through this device, as this may cause PERMANENT RETINAL DAMAGE and may lead to BLINDNESS. Take necessary precautions when using the device with children or others who have not read or who do not fully understand these instructions. After unpacking your microscope and before using it for the first time check for integrity and durability of every component and connection. Do not try to disassemble the device on your own for any reason. For repairs and cleaning of any kind, please contact your local specialized service center. Protect the device from sudden impact and excessive mechanical force. Do not apply excessive pressure when adjusting focus. Do not overtighten the locking screws. Do not touch the optical surfaces with your fingers. To clean the device exterior, use only special cleaning wipes and special optics cleaning tools from Levenhuk. Do not use any corrosive or acetone-based fluids to clean the optics. Abrasive particles, such as sand, should not be wiped off lenses, but instead blown off or brushed away with a soft brush. Do not use the device for lengthy periods of time, or leave it unattended in direct sunlight. Keep the device away from water and high humidity. Be careful during your observations, always replace the dust cover after you are finished with observations to protect the device from dust and stains. If you are not using your microscope for extended periods of time, store the objective lenses and eyepieces separately from the microscope. Store the device in a dry, cool place away from hazardous acids and other chemicals, away from heaters, open fire and other sources of high temperatures. When using the microscope, try not to use it near flammable materials or substances (benzene, paper, cardboard, plastic, etc.), as the base may heat up during use, and might become a fire hazard. Always unplug the microscope from a power source before opening the base or changing the illumination lamp. Regardless of the lamp type (halogen or incandescent), give it some time to cool down before trying to change it, and always change it to a lamp of the same type. Always use the power supply with the proper voltage, i.e. indicated in the specifications of your new microscope. Plugging the instrument into a different power outlet may damage the electric circuitry of the microscope, burn out the lamp, or even cause a short circuit. Children should use the device under adult supervision only. Seek medical advice immediately if a small part or a battery is swallowed.

Battery safety instructions

Always purchase the correct size and grade of battery most suitable for the intended use. Always replace the whole set of batteries at one time; taking care not to mix old and new ones, or batteries of different types. Clean the battery contacts and also those of the device prior to battery installation. Make sure the batteries are installed correctly with regard to polarity (+ and -). Remove batteries from equipment that is not to be used for an extended period of time. Remove used batteries promptly. Never attempt to recharge primary batteries as this may cause leakage, fire, or explosion. Never short-circuit batteries as this may lead to high temperatures, leakage, or explosion. Never heat batteries in order to revive them. Remember to switch off devices after use. Keep batteries out of the reach of children, to avoid risk of ingestion, suffocation, or poisoning.

Specifications

Image sensor	5Mpx (up to 12Mpx by interpolation)
Magnification	20–200–500x
Available image resolutions	12Mpx, 8Mpx, 5Mpx, 3Mpx, 1.3Mpx, VGA
Photo/video format	*.jpeg/*.avi
Memory card	microSD up to 32Gb (not included)
Objective lens	High-quality lens
Display	3.5" TFT-display, 4:3 ratio
Illumination	8-LED system with variable brightness
Power source	Li-ion battery (3.7V/1050 mAh)
	Operation time: 2 hours, charging time: 2 hours
Frame rate	30fps
Power cable	100–240V, 50/60Hz; 5V, 1A output
OS language	English, German, French, Spanish, Italian, Portuguese, Japanese, Chinese
Software language	English, German, French, Spanish, Russian, Italian, Portuguese, Polish, Dutch, Japanese, Korean, Chinese
Dimensions (HxWxD)	227 x 104 x 149mm
Weight	760g (with the battery)

The manufacturer reserves the right to make changes to the product range and specifications without prior notice.

System requirements

Operating system: Windows 7/8/10, Mac 10.6–10.15
CPU: at least P4 1.8GHz, RAM: 512MB, interface: USB 2.0

Levenhuk International Lifetime Warranty

All Levenhuk telescopes, microscopes, binoculars, and other optical products, except for their accessories, carry a **lifetime warranty** against defects in materials and workmanship. A lifetime warranty is a guarantee on the lifetime of the product on the market. All Levenhuk accessories are warranted to be free of defects in materials and workmanship for **six months** from the purchase date. The warranty entitles you to the free repair or replacement of the Levenhuk product in any country where a Levenhuk office is located if all the warranty conditions are met.

For further details, please visit: www.levenhuk.com/warranty

If warranty problems arise, or if you need assistance in using your product, contact the local Levenhuk branch.

Levenhuk DTX 500 LCD

Цифров микроскоп

BG

Никога и при никакви обстоятелства не гледайте директно към слънцето, друг ярък източник на светлина или лазер през това устройство, тъй като това може да предизвика ПЕРМАНЕНТНО УВРЕЖДАНЕ НА РЕТИНАТА и може да доведе до СЛЕПОТА.

Части на микроскопа

- | | | | |
|---|------------------------------------|----|---------------------------------------|
| 1 | Течнокристален дисплей | 9 | Пръстен за регулиране на яркостта |
| 2 | Слот за MicroSD карта | 10 | Пръстен за регулиране на увеличението |
| 3 | Бутон за фино фокусиране | 11 | Гнездо за захранващ кабел |
| 4 | Оптична тръба на микроскопа | 12 | RCA гнездо |
| 5 | Предметна маса | 13 | USB гнездо |
| 6 | Бутон за грубо фокусиране | 14 | Отделение за батериите |
| 7 | Бутон за фиксиране на фокусирането | 15 | Индикатор за състоянието на батерията |
| 8 | Бутон за затвор | 16 | Функционални бутони |

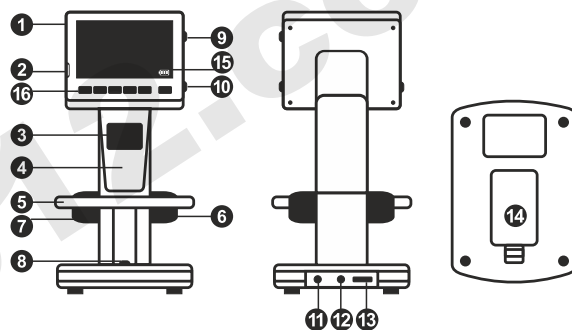
Комплектът включва: микроскоп, акумулаторна батерия, захранващ кабел, USB кабел, RCA кабел, инсталационен комплект диск за Levenhuk DTX, кърпа за почистване, ръководство за потребителя, скала за калибриране.

Сглобяване на микроскопа

Отворете отделението за батериите на дъното на основата на микроскопа. Поставете батерията в отделението за батериите, като спазвате обозначената полярност. Батерията трябва да бъде напълно заредена, преди да се включи микроскопът за първи път. Вкарайте захранващия кабел в гнездото за захранващия кабел върху корпуса на микроскопа (11) и го свържете към захранващ източник. Индикаторът за състоянието на батерията (15) ще светне в червено. Сред като батерията се зареди напълно, индикаторът ще изгасне. Сега можете да разкачите микроскопа от захранващия източник и до го включите. Напълно заредената батерия позволява да работите с микроскопа в продължение на два часа. Осветлението ще става по-слабо и качеството на изображението ще се влошава, за да Ви информира, че батерията е изтощена. Заредете батерията, както е описано по-горе.

За да запишете заснетите изображения и видео, е необходима microSD карта (закупува се отделно). Изключете микроскопа и вкарайте microSD картата в съответния слот върху корпуса на микроскопа, докато щракне на мястото си. Не прилагайте прекомерна сила при вкарването на microSD картата. Опитайте да завъртите картата, ако не щраква лесно на мястото си. Форматирайте картата, преди да я използвате.

За да включите микроскопа, натиснете захранващия бутон (16). За да изключите микроскопа, натиснете отново захранващия бутон (16) (за повече информация вижте "Енергоспестяване").



Иконка за режим на заснемане на изображения



Иконка за режим на последователност на заснемане

00013/01618

Брояч на заснетите изображения/общ брой на изображенията, които могат да се заснемат (на базата на текущата разделителна способност)



Иконка за състоянието на MicroSD

5.0M

Текуща разделителна способност на изображението



Индикатор за състоянието на батерията

Забележка: иконките за интерфейса може да бъдат скрити чрез натискане на пръстена за регулиране на увеличението (10).

Работа с микроскопа

Заснемане на изображение

Включете микроскопа и поставете образеца върху предметната маса. Регулирайте яркостта на осветлението, така че образецът да е равномерно осветен. Променете увеличението и фокуса на Вашето изображение, ако е необходимо, след което фиксирайте резултатите на място с помощта на бутона за фиксиране на фокуса (7). Натиснете бутона за затвор (8).

Записване на видео

Натиснете бутона ◀ (16), за да превключите на режим на видео. Иконата в горния ляв ъгъл на екрана ще се промени за потвърждение. Натиснете бутона за затвор (8), за да започнете записа, и го натиснете отново, за да го спрете.

Възпроизвеждане на направени видеозаписи

Натиснете бутона ◀ (16), за да превключите на режим на възпроизвеждане. Иконата в горния ляв ъгъл на екрана ще се промени за потвърждение. Изберете желания видеоклип с помощта на бутоните за превъртане (16) и натиснете **OK** за възпроизвеждането му.

Изтриване на файлове

Докато преглеждате записаните файлове, натиснете бутона **Гачен ключ** (16), изберете **Delete...** (Изтриване...), след което натиснете **OK**, за да потвърдите избора (можете да изберете да изтриете всичко или само избрания файл от показваното меню).

Защита на файлове

Докато преглеждате записаните файлове, натиснете бутона **Гачен ключ** (16), изберете **Protect** (Защита), след което натиснете **OK**, за да потвърдите избора (можете да изберете да защитите всичко или само избрания файл от показваното меню).

Слайдшоу

Докато преглеждате записаните файлове, натиснете бутона **Гачен ключ** (16), изберете **Slide Show** (Слайдшоу) и натиснете **OK**, за да потвърдите избора.

Цветови режим на интерфейса

Когато преглеждате записаните файлове, натиснете бутона ▲, за да превключите между съществуващите цветови режими на интерфейса.

Увеличение

Завъртете пръстена за регулиране на увеличението (10), за да го увеличите Вашето изображение или да го намалите.

Забележка: диапазонът на увеличение на Levenhuk DTX 500 LCD e 1—4x.

Прехвърляне на файлове на компютър

Свържете микроскопа към Вашия компютър с помощта на USB кабел и когато прозорецът AutoPlay (Автоматично изпълнение) се появи, изберете да използвате микроскопа като външно устройство за съхранение.

Главно меню

Натиснете бутона **Гачен ключ** (16), за да отворите главното меню. От това меню можете да задавате разделителната способност на изображението, да регулирате качеството и отчетливостта на изображението, както и да задавате параметрите за последователността на заснемане.

Разделителна способност

С избирането на **Resolution** (Разделителна способност) от главното меню се избира необходимата разделителна способност на изображението. Натиснете **OK**, за да потвърдите избора.

Забележка: моделът поддържа следните видове разделителна способност:

VGA / 1,3M / 3M / 5M / 8M / 12M.

Последователност на заснемане

Изберете **Timer** (Таймер) от главното меню и задайте общия брой изображения, които да бъдат заснети, в диалоговия прозорец Frames (Кадри). Потвърдете Вашия избор, като натиснете **OK**. Нов диалогов прозорец ще се появи, където можете да зададете интервала между изображенията с помощта на бутоните ▲ и ▼. Натиснете **OK**, за да потвърдите, и ◀, за да се върнете към режима на заснемане. Натиснете бутона за затвор, за да започнете заснемането на изображения. Иконката в горния ляв ъгъл ще се промени за потвърждение. След като бъдат заснети зададеният брой изображения, екранът ще се върне към стандартен режим на заснемане. Натиснете бутона за затвор по всяко време, за да спрете последователността на заснемане.

Качество

От главното меню изберете **Quality** (Качество) и след това една от съществуващите настройки. Това ще промени степента на компресия на заснетите изображения.

Отчетливост

От главното меню изберете **Sharpness** (Отчетливост) и след това една от съществуващите настройки.

Език

От главното меню изберете **Language** (Език) и след това изберете една от съществуващите настройки. Натиснете **OK**, за да потвърдите избора.

Пестене на енергия

От главно меню изберете **Power Save** (Пестене на енергия) и задайте времето на изчакване преди автоматичното изключване на микроскопа.

Честота на дисплея

От главното меню изберете **Frequency** (Честота) и след това една от съществуващите настройки. Натиснете **OK**, за да потвърдите избора.

Дата и час на дисплея

От главното меню изберете **Date Stamp** (Маркировка с датата) и след това една от съществуващите настройки. Имате възможност за показване на датата или на датата и часа. Натиснете **OK**, за да потвърдите избора.

Свързване към телевизор

От главното меню изберете **TV Out** (Изход с телевизионен сигнал) и след това една от съществуващите настройки. Натиснете **OK**, за да потвърдите избора.

Дата и час

От главно меню изберете **Date/Time** (Дата/Час) и настройте текущите дата и час. Натиснете **OK**, за да потвърдите въведеното. Можете също да изберете един от следните формати на датата: ГГ/ММ/ДД, ДД/ММ/ГГ или ММ/ДД/ГГ.

Форматиране на SD карта

Изберете **Format SD** (Форматиране на SD) от главното меню, за да форматирате инсталираната карта памет.

Нулиране на настройките

Изберете **Sys. Reset** (Нулиране на системата) от главното меню, за да се върнете обратно към настройките по подразбиране.

Версия на хардуера

Изберете от главното меню **Version** (Версия), за да проверите текущата версия на хардуера.

Свързване на микроскопа към телевизор

Вкарайте RCA кабела в микроскопа и го свържете към телевизора си (за допълнителна информация вижте ръководството за потребителя на телевизора). Включете телевизора и изберете правилния канал от съответното меню на телевизора (за допълнителна информация вижте ръководството за потребителя на телевизора).

Софтуер PortableCapture Pro

Вкарайте инсталационния компактдиск във Вашето устройство за компактдискове. Ще се покаже прозорец с главното меню. Изберете **PortableCapture software** (софтуер PortableCapture), за да инсталирате приложението PortableCapture Pro. Помнете, че ще бъде необходимо рестартиране на системата по време на инсталацията. Инсталационният компактдиск съдържа копие на това ръководство за потребителя, което можете да прочетете, като щракнете върху съответния раздел в главното меню.

Свържете микроскопа към Вашия компютър чрез USB кабел и стартирайте приложението PortableCapture Pro. Изскачащо съобщение ще Ви предупреди, ако микроскопът не е свързан към компютъра.

Забележка: функционалните бутони са деактивирани, когато микроскопът е свързан към компютър като камера. Микроскопът се управлява чрез приложението PortableCapture Pro. Всички изображения и видеозаписи ще бъдат запазени на твърдия диск на компютъра.



Заснемане на изображение



Стартиране и спиране на видеозаписа



Последователност на заснемане (можете да задавате времето на началото на заснемане на изображения или видеозаписи, интервалът между тях, продължителността на видеозаписа и броя на изображенията или видеозаписите, които ще бъдат заснети)



Режим "Цял екран". За да излезете от режима "Цял екран", натиснете **Escape** (Изход) на Вашата клавиатура или щракнете двукратно някъде върху екрана



Запаметяване като



Повтаряне на последното действие



Копиране в клипборд



Копиране на файл



Чертане



Предишно изображение



Текст



Следващо изображение



Размер



Отмяна на последното действие



Калибриране

File (Файл)

Photos Directory (Указател на снимките): задава указател за заснетите изображения.

Videos Directory (Указател на видеозаписите): задава указател за направените видеозаписи.

Options (Опции)

Resolution (Разделителна способност): задава разделителната способност.

Date/Time (Дата/Час): скрива или показва датата и часа на заснемането по време на преглеждането.

Language (Език): промяна на езика на потребителския интерфейс.

Crossing (Кръстосване): скрива или извежда на дисплея мрежа на изображенията.

Full screen mode (Режим "Цял екран"): разгъва изображението на цял екран.

Capture (Заснемане)

Photo (Снимка): заснемане на изображение.

Video (Видеозапис): извършва видеозапис.

Заснемане на изображение

Щракнете върху съответната иконка на лентата с инструменти или изберете **Photo** (Снимка) от менюто **Capture** (Заснемане).

Записване на видео

Щракнете върху съответната иконка на лентата с инструменти или изберете **Video** (Видеозапис) от менюто **Capture** (Заснемане).

Последователност на заснемане

Щракнете върху съответната иконка на лентата с инструменти. Ще се появи диалогов прозорец, където можете да зададете броя на параметрите за последователността на заснемане. Щракнете върху радио бутона **Photo** (Снимка), за да настроите времето на началото на заснемане на изображения, интервала между тях и общия брой на изображенията. Щракнете върху радио бутона **Video** (Видеозапис), за да настроите времето на началото на правене на видеозаписи, продължителността им, интервала между тях и общия брой клипове.

Калибриране

Преди да калибрирате микроскопа, включете дисплея мрежа. За да направите това, изберете **On** (Вкл.) от **Options > Crossing** (Опции > Кръстосване). По подразбиране мрежата се вижда. Поставете скалата за калибриране върху предметната маса и фокусирайте изображението. Уверете се, че вертикалната ос на мрежата е паралелна на деленията на скалата и заснемете изображение. Щракнете два пъти върху миниатюрата на изображението, за да го отворите в отделен прозорец.

Щракнете върху съответната иконка на лентата с инструменти, за да започне калибрирането. С помощта на мишката изберете две точки от изображението (трябва да знаете разстоянието между тези две точки). Щом изберете втората точка, ще се отвори диалогов прозорец, където трябва да въведете известното разстояние в полето **Actual dimension** (Действителен размер). Приложението ще изчисли автоматично увеличението на изображението. Щракнете върху **OK**, за да затворите диалоговия прозорец. Изчи сленото увеличение ще бъде показано в полето **Magnification** (Увеличение).

Забележка: избраните точки трябва да формират хоризонтална линия.

Можете да проверите резултатите от калибрирането, като измерите едно и също разстояние с инструмента **Any Angle Line** (Линия под произволен ъгъл). Щракнете върху иконката за размери, изберете инструмента **Any Angle Line** (Линия под произволен ъгъл) и начертайте подобна линия върху изображението. Ако измереното разстояние е равно на действителното разстояние, тогава калибрирането е успешно.

Повторно калибриране

Процесът на калибриране трябва да се повтори, ако по време на наблюденията са се променили увеличението или фокусът. Щракнете отново върху съответната иконка на лентата с инструменти и изберете **Reset picture magnification** (Нулиране на увеличението) от **Reset magnification** (Нулиране на увеличението). Повторете процеса на калибриране, както е описано по-горе. Променете увеличението и заснемете няколко изображения. Двукратното щракване върху миниатюрите на изображенията ще отвори съответното изображение в прозорец за предварителен преглед. Щракнете върху иконката за калибриране на лентата с инструменти и изберете **Set picture magnification** (Задаване на увеличението на изображението) от **Set magnification** (Задаване на увеличението). Въведете текущото увеличение в диалоговия прозорец, който се появява, и щракнете върху **OK**. Ако искате в бъдеще да използвате същото увеличение при заснемане на изображения, тогава щракнете върху иконката за калибриране на лентата с инструменти и изберете **Set capture magnification** (Задаване на увеличението при заснемане) от **Set magnification** (Задаване на увеличението).

Измервания

Препоръчва се да калибрирате системата, преди да продължите с измерванията.

Any Angle Line (Линия под произволен ъгъл). Натиснете и задръжте натиснат левия бутон на мишката, за да започнете да чертаете линия. Отпуснете левия бутон на мишката, за да завършите линията.

Continuous Line (Линия с произволна форма). Използвайте този инструмент, за да начертаете крива върху изображение и измерете дължината ѝ.

Radius Circle (Радиус на кръг). Начертайте права линия върху изображението. Приложението ще изчисли автоматично радиуса, както и обиколката и площта на съответния кръг.

Diameter Circle (Диаметър на кръг). Начертайте права линия върху изображението. Приложението ще изчисли автоматично диаметъра, както и обиколката и площта на съответния кръг.

Three Points Angle (Триточков ъгъл). Поставете три точки върху изображението с помощта на Вашата мишка. Приложението ще изчисли автоматично стойността на ъгъла.

Чертане и текст

PortableCapture Pro Ви позволява да добавяте рисунки и текстови полета към Вашите изображения. Отворете дадено изображение в прозореца за предварителен преглед и щракнете върху иконката **Pencil** (Молив) на лентата с инструменти. Изберете един от инструментите от изскачащото меню и начертайте нещо върху изображението. Чрез щракване върху иконката **TT** на лентата с инструменти, Вие можете да редактирате типа и цвета на шрифта, които ще се използват в текстовите полета.

Работа с приложението за потребители на Mac OS

Прегледайте папката mac на инсталационния компактдиск и копирайте файла **PortableCapture Pro** на работния плот. Използвайте USB кабел за свързване на микроскопа към Вашия компютър. Стартирайте приложението PortableCapture Pro чрез двукратно щракване върху иконката му.

Увеличено изображение на наблюдавания образец може да се види в основния прозорец на приложението. От менюто **Options** (Опции) изберете **Preview Size** (Размер на предварителния преглед), за да настроите разделителната способност на изображението. Имайте предвид, че размерът на прозореца за предварителен преглед не може да се променя (стандартната разделителна способност е 640x480). Разделителната способност на изображението е показана в долния ляв ъгъл на прозореца за предварителен преглед.

От менюто **Options** (Опции) изберете **Date/Time** (Дата/Час), за да се покажат или скрият датата и часът на заснемането по време на предварителния преглед.

Щракнете върху съответната иконка на лентата с инструменти или изберете **Photo** (Снимка) от менюто **Capture** (Заснемане), за да заснемете изображение. От дясната страна на основния прозорец ще се появи миниатюра на заснетото изображение.

Щракнете върху съответната иконка на лентата с инструменти или изберете **Video** (Видеозапис) от менюто **Capture** (Заснемане), за да стартирате запис на видео. От дясната страна на основния прозорец ще се появи миниатюра на заснетото видео.

Забележка: по време на записа иконката на камкордера на лентата с инструменти ще свети в червено. Щракнете отново върху иконката, за да спрете да записвате.

Миниатюри на изображения и видео материали се показват от дясната страна на основния прозорец на приложението. Щракнете два пъти върху миниатюрата на изображението, за да го отворите в отделен прозорец за предварителен преглед. Редактирането на изображения с приложението PortableCapture Pro е подобно на работата с другите приложения в Mac OS.

Грижи и поддръжка

Никога и при никакви обстоятелства не гледайте директно към слънцето, друг ярък източник на светлина или лазер през това устройство, тъй като това може да предизвика **ПЕРМАНЕНТО УВРЕЖДАНЕ НА РЕТИНАТА** и може да доведе до **СЛЕПОТА**. Предприемете необходимите превантивни мерки при използване на това устройство от деца или други, които не са прочели или които не са разбрали напълно тези инструкции. След като разпопановате Вашия микроскоп и преди да го използвате за първи път, проверете дали всички компоненти и връзки са здрави и с нарушена цялост. Не се опитвайте да разглобявате устройството самостоятелно. За всякакви ремонти се обръщайте към местния специализиран сервизен център. Предпазвайте устройството от внезапни удари и прекомерна механична сила. Не прилагайте прекомерен натиск при настройване на фокусирането. Не пренатягайте заключващите винтове. Не пипайте повърхностите на оптиката с пръсти. За почистване на отвън, използвайте само специални кърпички и течности за почистване на оптика от Levenhuk. Не използвайте корозивни течности или такива на основата на ацетон за почистване на оптиката. Абразивните частици, като напр. пясък, не трябва да бъдат забърсвани от лещите, а трябва да бъдат издухвани или изчетквани с мека четка. Не използвайте устройството за продължителни периоди от време и не го оставяйте без надзор на директна слънчева светлина. Пазете устройството далече от вода и висока влажност. Бъдете внимателни по време на наблюдения, винаги поставяйте покривалото против прах обратно на мястото му, след като сте приключили с наблюдението, за да предпазите устройството от прах и поява на петна. Ако не използвате Вашия микроскоп за продължителни периоди от време, съхранявайте лещите на обектива и окулярите отделно от микроскопа. Съхранявайте устройството на сухо и хладно място, далеч от опасни киселини и други химикали, далеч от отоплителни уреди, открит огън и други източници на високи температури. Когато използвате микроскопа, опитайте да не го използвате в близост до запалими материали или вещества (бензен, хартия, картон, пластмаса и т.н.), тъй като основата може да се нагрее по време на употреба и може да възникне опасност от пожар. Винаги изключвайте микроскопа от източника на захранване, преди да отворите основата или да смените осветителната лампа.

Независимо от вида на лампата (халогенна или с нажежаема жичка) я оставете да се охлади за кратко, преди да опитате да я смените, и винаги я сменяйте с лампа от същия тип. Потърсете веднага медицинска помощ, ако погълнете малка част или батерия. Винаги използвайте захранване с подходящо напрежение, т.е. посоченото в спецификациите на Вашия нов микроскоп. Включването на инструмента в електрически контакт с различно напрежение ще повреди електрическата верига на микроскопа, ще изгори лампата или може дори да причини късо съединение. Потърсете веднага медицинска помощ, ако погълнете малка част или батерия.

Инструкции за безопасност на батериите

Винаги купувайте батерии с правилния размер и характеристики, които са най-подходящи за предвидената употреба. Винаги сменяйте всички батерии едновременно, като внимавате да не смесите стари и нови или батерии от различен тип. Почистете контактите на батериите, както и тези на устройството, преди да поставите батериите. Уверете се, че батериите са поставени правилно по отношение на полярността (+ и -). Извадете батериите от оборудването, ако то няма да бъде използвано продължителен период от време. Извадете използваните батерии незабавно. Никога не свързвайте батерии нахъсо, тъй като това може да доведе до високи температури, теч или експлозия. Никога не загрявайте батерии, опитвайки се да ги използвате допълнително време. Не разглобявайте батериите. Не забравяйте да изключите устройствата след употреба. Дръжте батериите далеч от достъпа на деца, за да избегнете риск от поглъщане, задушаване или отравяне. Изхвърляйте използваните батерии съгласно правилата в държавата Ви.

Международна доживотна гаранция от Levenhuk

Всички телескопи, микроскопи, бинокли и други оптични продукти от Levenhuk, с изключение на аксесоарите, имат **доживотна гаранция** за дефекти в материалите и изработката. Доживотната гаранция представлява гаранция, валидна за целия живот на продукта на пазара. За всички аксесоари Levenhuk се предоставя гаранция за липса на дефекти на материалите и изработката за период от **две години** от датата на покупка на дребно. Levenhuk ще ремонтира или замени всеки продукт или част от продукт, за който след проверка от страна на Levenhuk се установи наличие на дефект на материалите или изработката. Задължително условие за задължението на Levenhuk да ремонтира или замени такъв продукт е той да бъде върнат на Levenhuk заедно с документ за покупка, който е задоволителен за Levenhuk.

За повече информация посетете нашата уебстраница: www.levenhuk.bg/garantsiya
Ако възникнат проблеми с гаранцията или ако се нуждаете от помощ за използването на Вашия продукт, свържете се с местния представител на Levenhuk.

Спецификации

Сензор за изображение	5 Мрх (до 12 Мрх чрез интерполация)
Увеличение	20–200–500x
Текущи разделителни способности на изображенията	12 Мрх, 8 Мрх, 5 Мрх, 3 Мрх, 1,3 Мрх, VGA
Формат на снимката/видеото	*.jpeg/*.avi
Карта памет	microSD карта до 32 GB (не е включена)
Леща на обектива	висококачествена леща
Дисплей	3,5" TFT дисплей, съотношение 4:3
Осветление	система с 8 светодиода с променлива яркост
Захранващ източник	литиево-йонна батерия (3,7 V/1050 mAh) време на работа: 2 часа, време на зареждане: 2 часа
Честота на кадрите	30 fps
Захранващ кабел	100–240 V, 50/60 Hz; изходящо: 5 V, 1 A
Език на операционната система	английски, немски, френски, испански, италиански, португалски, японски, китайски
Езици на софтуера	английски, немски, френски, испански, руски, италиански, португалски, полски, нидерландски, японски, корейски, китайски
Размери (В x Ш x Д)	227 x 104 x 149 mm
Тегло	760 g (с батерията)

Производителят си запазва правото да извършва промени по продуктова гама и спецификациите без предизвестие.

Изисквания към системата

Операционна система: Windows 7/8/10, Mac 10.6–10.15
CPU: най-малко P4 1,8 GHz, RAM: 512 MB, интерфейс: USB 2.0

Levenhuk DTX 500 LCD

Digitální mikroskop

CZ

Obsah soupravy

- | | | | |
|---|--------------------------|----|------------------------------|
| 1 | LCD displej | 9 | Regulátor nastavení jasu |
| 2 | Slot pro kartu microSD | 10 | Regulátor nastavení zvětšení |
| 3 | Šroub jemného zaostření | 11 | Zdířka napájecího kabelu |
| 4 | Optický tubus mikroskopu | 12 | Zdířka RCA |
| 5 | Pracovní stolek | 13 | Zdířka USB |
| 6 | Šroub hrubého zaostření | 14 | Prostor pro baterie |
| 7 | Šroub aretace zaostření | 15 | Ukazatel stavu baterie |
| 8 | Tlačítko závěrky | 16 | Funkční klávesy |

Obsah soupravy: mikroskop, dobíjecí baterie, napájecí kabel, kabel USB, kabel RCA, instalační CD Levenhuk DTX, čisticí utěrka, kalibrační stupnice, návod k použití.

Montáž mikroskopu

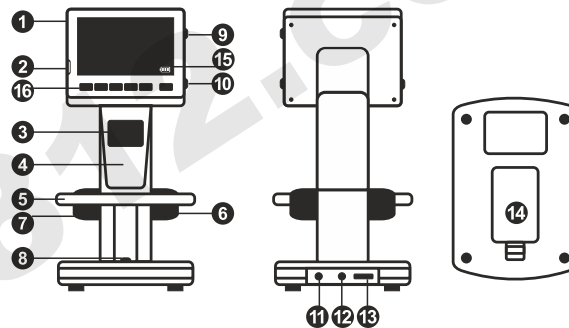
Otevřete prostor pro baterie ve spodní části stativu mikroskopu. Vložte baterii do prostoru pro baterie. Dbejte na správnou polaritu baterie.

Před prvním zapnutím mikroskopu musí být baterie plně nabitá. Napájecí kabel zapojte do zásuvky na těle mikroskopu (11) a připojte jej ke zdroji napájení. Rozsvítí se červený ukazatel stavu baterie (15). Jakmile je baterie zcela nabitá, ukazatel zhasne. Nyní můžete mikroskop odpojit od napájecího zdroje a zapnout. Plně nabitá baterie umožňuje mikroskop používat nepřetržitě po dobu dvou hodin. Nízký stav baterie se projeví snížením intenzity osvětlení a zhoršením kvality obrazu. V takovém případě baterii výše uvedeným postupem dobijte.

Karta microSD (nutno koupit samostatně) slouží k ukládání pořízených statických snímků a videozáznamů. Mikroskop vypněte a kartu microSD vložte do odpovídajícího slotu na těle mikroskopu, dokud vám zvuk cvaknutí neoznámí, že je vložena správně. Při vkládání microSD karty nepoužívejte příliš velkou sílu. Nejde-li na své místo vložit snadno, zkuste ji otočit. Kartu před prvním použitím zformátujte.

Zapnutí mikroskopu: stiskněte hlavní vypínač (16). Vypnutí mikroskopu: stisknete znovu hlavní vypínač (16) (Další informace naleznete v kapitole Úsporný režim).

Nikdy, za žádných okolností se tímto přístrojem nedívejte přímo do slunce, jiného světelného zdroje nebo laseru, neboť hrozí nebezpečí TRVALÉHO POŠKOZENÍ SÍTNICE a případně i OSLEPNUTÍ.



Ikona režimu pořizování statických snímků



Ikona režimu pořizování sekvencí

00013/01618

Počítadlo pořízených statických snímků/ celkový počet snímků, jež lze pořídít (na základě aktuálního rozlišení)



Stavová ikona karty microSD

5.0M

Aktuální rozlišení snímků



Ukazatel stavu baterie

Poznámka: Ikony na rozhraní lze skrýt stisknutím regulátoru nastavení zvětšení (10).

Práce s mikroskopem

Snímání obrazu

Mikroskop zapněte a na stolek položte preparát. Nastavte jas osvětlení tak, aby byl preparát rovnoměrně osvětlený. V případě potřeby změňte zvětšení a zaostřete obraz, výsledek pak zajistěte pomocí zámků zaostření (7). Stiskněte tlačítko závěrky (8).

Poživování videozáznamů

Stisknutím klávesy ◀ (16) přejdete do režimu videozáznamu. Přechod do jiného režimu je potvrzen změnou ikony v levém horním rohu. Stisknutím tlačítka závěrky (8) zahájíte záznam a dalším stisknutím jej zastavíte.

Přehrávání pořízených videozáznamů

Stisknutím klávesy ◀ (16) přejdete do režimu přehrávání. Přechod do jiného režimu je potvrzen změnou ikony v levém horním rohu. Pomocí navigačních kláves (16) zvolte požadovaný videozáznam a klávesou **OK** spustíte přehrávání.

Nastavení ochrany souborů

Při procházení uložených souborů stiskněte klávesu **Wrench** (Nástroje) (16), zvolte možnost **Protect** (Chránit) a klávesou **OK** potvrďte volbu (můžete chránit vše, nebo jen vybraný soubor ze zobrazené nabídky).

Prezentace

Při procházení uložených souborů stiskněte klávesu **Wrench** (Nástroje) (16), zvolte možnost **Slide Show** (Prezentace) a klávesou **OK** potvrďte volbu.

Barevný režim rozhraní

Při procházení uložených souborů můžete stisknutím klávesy ▲ přecházet mezi dostupnými barevnými režimy rozhraní.

Zvětšení

Zobrazení můžete přiblížit nebo oddálit otáčením regulačního šroubu zvětšení (10).

Poznámka: Rozsah zvětšení mikroskopu Levenhuk DTX 500 LCD je 1–4x.

Přenos souborů na počítač

Mikroskop připojte k počítači pomocí USB kabelu a jakmile se otevře okno automatického přehrávání, vyberte možnost použití mikroskopu jako externího úložného zařízení.

Main menu (Hlavní nabídka)

Stisknutím klávesy **Wrench** (Nástroje) (16) otevřete hlavní nabídku. V této nabídce můžete nastavit rozlišení obrazu, upravit kvalitu a ostrost obrazu a dále nastavit parametry pro zachycování sekvencí.

Resolution (Rozlišení)

V hlavní nabídce zvolte možnost **Resolution** (Zvětšení) a zvolte požadované rozlišení obrazu. Vybranou možnost potvrďte stisknutím tlačítka **OK**.

Poznámka: Tento model podporuje následující rozlišení: VGA / 1,3M / 3M / 5M / 8M / 12M.

Sequence capture (Zachycování sekvencí)

V hlavní nabídce zvolte možnost **Timer** (Stopky) a v dialogovém okně **Frames** (Snímky) nastavte celkový počet snímků, které se mají pořídit. Stisknutím klávesy **OK** potvrďte svou volbu. Otevře se nové dialogové okno, v němž můžete pomocí kláves ▲ a ▼ nastavit interval mezi snímky. Stisknutím klávesy **OK** potvrďte volbu a tlačítkem ◀ se vrátíte zpět do režimu pořizování snímků. Klávesou závěrky spustíte pořizování snímků. Spuštění je potvrzeno změnou ikony v levém horním rohu. Po zachycení nastaveného počtu snímků se obrazovka vrátí do standardního režimu pořizování snímků. Pořizování sekvence můžete kdykoli zastavit stisknutím tlačítka závěrky.

Quality (Kvalita)

V hlavní nabídce zvolte možnost **Quality** (Kvalita) a vyberte si jedno z nabízených nastavení. Tím se změní kompresní poměr pořizovaných snímků.

Sharpness (Ostrost)

V hlavní nabídce zvolte možnost **Sharpness** (Ostrost) a vyberte si jedno z nabízených nastavení.

Language (Jazyk)

V hlavní nabídce zvolte možnost **Language** (Jazyk) a vyberte si jedno z nabízených nastavení. Zvolenou možnost potvrďte stisknutím tlačítka **OK**.

Power saving (Úsporný režim)

V hlavní nabídce zvolte možnost **Power Safe** (Úsporný režim) a nastavte dobu nečinnosti, po jejímž uplynutí se mikroskop automaticky vypne.

Display frequency (Kmitočet displeje)

V hlavní nabídce zvolte možnost **Frequency** (Kmitočet) a vyberte si jedno z nabízených nastavení. Zvolenou možnost potvrďte stisknutím tlačítka **OK**.

Date and time display (Zobrazit datum a čas)

V hlavní nabídce zvolte možnost **Date Stamp** (Časové razítko) a vyberte si jedno z nabízených nastavení. Můžete si vybrat zobrazení pouze data nebo data i času. Zvolenou možnost potvrdíte stisknutím tlačítka **OK**.

TV connection (Připojení k TV)

V hlavní nabídce zvolte možnost **TV Out** (TV výstup) a vyberte si jedno z nabízených nastavení. Zvolenou možnost potvrdíte stisknutím tlačítka **OK**.

Date and time (Datum a čas)

V hlavní nabídce vyberte možnost **Date/Time** (Datum/čas) a nastavte aktuální datum a čas. Zadáání potvrdíte stisknutím klávesy **OK**. Dále si můžete zvolit jeden z následujících formátů data: RR/MM/DD, DD/MM/RR nebo MM/DD/RR

Format SD card (Formátovat kartu)

Chcete-li formátovat instalovanou paměťovou kartu, vyberte z hlavní nabídky položku **Format SD** (Formátovat kartu SD).

Settings reset (Obnovení továrního nastavení)

Chcete-li obnovit původní tovární nastavení, zvolte v hlavní nabídce položku **Sys. Reset** (Reset systému).

Připojení mikroskopu k televiznímu přijímači

Do mikroskopu zapojte kabel RCA a druhý konec připojte ke svému televiznímu přijímači (další informace naleznete v návodu k použití svého televizního přijímače). Televizní přijímač zapněte a zvolte správný kanál z příslušné nabídky na televizním přijímači (další informace naleznete v návodu k použití svého televizního přijímače).

Práce s aplikací PortableCapture Pro

Do CD jednotky svého počítače vložte instalační CD. Zobrazí se okno hlavní nabídky. Instalaci aplikace PortableCapture Pro zahájíte zvolením možnosti **PortableCapture software**. Upozorňujeme, že během instalace bude vyžadováno restartování počítače. Instalační CD obsahuje kopii této uživatelské příručky, kterou můžete otevřít kliknutím na odpovídající položku v hlavní nabídce.

Mikroskop připojte k počítači pomocí USB kabelu a jakmile se otevře okno automatického přehrávání, zvolte možnost použití mikroskopu jako kamery. Spusťte aplikaci PortableCapture Pro (viz kapitola **Práce s aplikací PortableCapture Pro**, kde jsou uvedeny další informace).

Poznámka: Je-li mikroskop k počítači připojen jako kamera, funkční klávesy nejsou v provozu. Ovládání mikroskopu se provádí pomocí aplikace PortableCapture Pro. Všechny pořízené statické snímky a videozáznamy se uloží na pevný disk počítače.



Snímat statický obraz



Zahájit a ukončit nahrávání videozáznamu



Snímat sekvenci (můžete nastavit dobu zahájení pořizování statických snímků nebo videozáznamu, interval mezi nimi, délku videozáznamu a počet statických snímků nebo videozáznamů, jež se mají pořídít)



Režim celé obrazovky. Režim celé obrazovky můžete ukončit stisknutím klávesy **Escape** na klávesnici nebo dvojitým kliknutím na obrazovku



Uložit jako



Nakreslit



Kopírovat do schránky



Text



Kopírovat soubor



Měření



Předchozí snímek



Kalibrace



Další snímek



Vrátit zpět poslední činnost



Opakovat poslední činnost

File (Soubor)

Photos Directory (Složka pro fotografie): nastavení složky k ukládání pořízených snímků.

Videos Directory (Složka pro videozáznamy): nastavení složky k ukládání pořízených videozáznamů.

Options (Možnosti)

Resolution (Rozlišení): nastavení rozlišení obrazu.

Date/Time (Datum/čas): během náhledu zobrazí nebo skryje datum a čas pořízení.

Language (Jazyk): změna jazyka uživatelského rozhraní.

Crossing (Mřížka): zobrazí nebo skryje mřížku na snímcích.

Full screen mode: (Režim celé obrazovky) přechod do režimu plné obrazovky.

Capture (Snímání)

Photo: snímání statického obrazu.

Video: pořízení videozáznamu.

Snímání obrazu

Klikněte na příslušnou ikonu v panelu nástrojů nebo v nabídce **Capture** (Snímání) zvolte možnost **Photo**.

Pořizování videozáznamů

Klikněte na příslušnou ikonu v panelu nástrojů nebo v nabídce **Capture** (Snímání) zvolte možnost **Video**.

Zachycování sekvencí

Klikněte na příslušnou ikonu v panelu nástrojů. Otevře se dialogové okno, v němž můžete nastavit řadu parametrů pro snímání sekvencí. Klikněte na přepínač **Photo** a nastavte čas zahájení pořizování snímků, interval mezi nimi a celkový počet snímků. Klikněte na přepínač **Video** a nastavte dobu zahájení nahrávání videozáznamů, jejich délku, interval mezi nimi a celkový počet videosnímků.

Kalibrace

Před zahájením kalibrace mikroskopu zapněte zobrazení mřížky. To se provede volbou možnosti **On** (Zapnuto) v nabídce **Options > Crossing** (Možnosti > Mřížka). Ve výchozím nastavení se mřížka zobrazuje. Na pracovní stolek položte kalibrační stupnici a zaostřete obraz. Ujistěte se, zda je vswislá osa mřížky souběžná s dílkou stupnice, a pořiďte snímek. Dvojitým kliknutím na náhled obrázku jej otevřete v samostatném okně. Kliknutím na příslušnou ikonu v panelu nástrojů zahajte kalibraci. Pomocí myši zvolte dva body na snímku (musíte znát skutečnou vzdálenost mezi těmito body). Jakmile vyberete druhý bod, otevře se dialogové okno, kde do pole **Actual dimension** (Skutečný rozměr) zadáte známou vzdálenost. Aplikace automaticky vypočte zvětšení obrazu. Tlačítkem **OK** dialogové okno zavřete. Vypočtené zvětšení se zobrazí v poli **Magnification** (Zvětšení).

Poznámka: Vybrané body by měly být ve vodorovné linii.

Výsledky kalibrace můžete zkontrolovat tak, že stejnou vzdálenost změříte pomocí nástroje **Any Angle Line** (Čára v libovolném úhlu). Klikněte na ikonu měření, zvolte nástroj **Any Angle Line** (Čára v libovolném úhlu) a na snímku nakreslete podobnou čáru. Je-li naměřená vzdálenost stejná jako skutečná, proběhla kalibrace úspěšně.

Rekalibrace

Došlo-li během pozorování ke změně hodnoty zvětšení nebo zaostření, kalibrační proces je nutné zopakovat.

Klikněte znovu na příslušnou ikonu na panelu nástrojů a z nabídky **Reset magnification** (Resetovat zvětšení) zvolte možnost **Reset picture magnification** (Resetovat zvětšení obrazu). Výše uvedeným postupem opakujte proces kalibrace. Změňte hodnotu zvětšení a pořiďte několik snímků. Dvojitým kliknutím na náhledy otevřete výsledný snímek k nahlédnutí v samostatném okně. V panelu nástrojů klikněte na ikonu kalibrace a z nabídky **Set magnification** (Nastavit zvětšení) zvolte možnost **Set picture magnification** (Nastavit zvětšení obrazu). V dialogovém okně, které se otevře, zadejte aktuální zvětšení a klikněte na tlačítko **OK**. Chcete-li při pořizování snímků v budoucnu použít stejné zvětšení, klikněte na ikonu kalibrace a v nabídce **Set magnification** (Nastavit zvětšení) zvolte možnost **Set capture magnification** (Nastavit zvětšení při snímání).

Měření

Před zahájením měření doporučujeme provést kalibraci systému.

Any Angle Line (Čára v libovolném úhlu). Chcete-li začít kreslit čáru, stiskněte a přidržte levé tlačítko myši. Čáru ukončíte uvolněním levého tlačítka myši.

Continuous Line (Souvislá čára). Pomocí tohoto nástroje můžete na snímku nakreslit křivku a změřit její délku.

Radius circle (Poloměr kruhu). Na snímku nakreslete přímkou. Aplikace automaticky vypočte poloměr, obvod a plochu odpovídajícího kruhu.

Diameter circle (Průměr kruhu). Na snímku nakreslete přímkou. Aplikace automaticky vypočte průměr, obvod a plochu odpovídajícího kruhu.

Three Points Angle (Úhel ze tří bodů). Pomocí myši umístíte na snímku tři body. Aplikace automaticky vypočte hodnotu úhlu.

Kreslení a text

Aplikace PortableCapture Pro umožňuje do snímků přidávat kresby nebo textová pole. Snímek otevřete v okně náhledu a v panelu nástrojů klikněte na ikonu **Pencil** (Tužka). Vyberte jeden z nástrojů v rozbalovací nabídce a něco na snímek nakreslete. Po kliknutí na ikonu **TT** v panelu nástrojů můžete upravit typ a barvu písma, které se bude používat v textových polích.

Práce s aplikací v prostředí Mac OS

Na instalačním CD přejděte do složky **mac** a na plochu počítače zkopírujte soubor **PortableCapture Pro**. Pomocí kabelu USB mikroskop připojte k počítači. Dvojným kliknutím na ikonu PortableCapture Pro spusťte aplikaci.

Zvětšený obraz pozorovaného preparátu lze pozorovat v hlavním okně aplikace. V nabídce **Options** (Možnosti) zvolte možnost **Preview Size** (Velikost náhledu) a nastavte rozlišení obrazu. Mějte na paměti, že velikost okna náhledu nelze měnit (standardní rozlišení je 640x480). Hodnota rozlišení obrazu se zobrazuje v levém dolním rohu okna náhledu.

V nabídce **Options** (Možnosti) zvolte možnost **Date/Time** (Datum/čas), pomocí níž lze během náhledu zobrazit nebo skrýt datum a čas pořízení snímku.

Klikněte na příslušnou ikonu v panelu nástrojů nebo v nabídce **Capture** (Snímání) zvolte možnost **Photo**. Na pravé straně hlavního okna se zobrazí náhled snímku. Klikněte na příslušnou ikonu v panelu nástrojů nebo v nabídce **Capture** (Snímání) zvolte možnost **Video**.

Poznámka: během nahrávání se barva ikona kamery v panelu nástrojů změní na červenou. Dalším kliknutím na tuto ikonu nahrávání ukončíte.

Náhledy statických snímků i videozáznamů se zobrazují na pravé straně hlavního okna aplikace. Dvojitým kliknutím na náhled obrázku jej otevřete v samostatném okně náhledu. Úpravy obrázků pomocí aplikace PortableCapture Pro se provádějí obdobně jako při práci s jiným aplikacemi v systému Mac OS.

Péče a údržba

Nikdy, za žádných okolností se tímto přístrojem neďivejte přímo do slunce, jiného světelného zdroje nebo laseru, neboť hrozí nebezpečí TRVALÉHO POŠKOZENÍ SÍTNICE a případně i OSLEPNUTÍ. Při použití tohoto přístroje dětmi nebo osobami, které tento návod nečetly nebo s jeho obsahem nebyly plně srozuměny, uplatněte nezbytná preventivní opatření. Po vybalení mikroskopu a před jeho prvním použitím zkontrolujte neporušenost jednotlivých komponent a spojů. Z žádného důvodu se nepokoušejte přístroj rozebírat. S opravami veškerého druhu se obračete na své místní specializované servisní středisko. Přístroj chraňte před prudkými nárazy a nadměrným mechanickým namáháním. Při zaostřování nevyvíjejte nadměrný tlak. Neutahujte šrouby konstrukce příliš silně. Nedotýkejte se svými prsty povrchů optických prvků. K vyčištění vnějších částí přístroje používejte výhradně speciální čisticí ubrousky a speciální nástroje k čištění optiky dodávané společností Levenhuk. K čištění optiky nepoužívejte žádné žiraviny ani kapaliny na acetonové bázi. Abrazivní částice, například písek, by se neměly z čoček otírat, ale sfouknout nebo smést měkkým kartáčkem. Přístroj příliš dlouho nepoužívejte ani neopouštějte bez dozoru na přímém slunci. Chraňte přístroj před stykem s vodou. Při pozorování dbejte na opatrnost; po skončení pozorování vždy nasadte ochranný kryt, abyste mikroskop ochránili před prachem a jiným znečištěním. Pokud svůj mikroskop nebudete delší dobu používat, uložte čočky objektivu a okuláru odděleně od samotného mikroskopu. Přístroj ukládejte na suchém, chladném místě, mimo dosah nebezpečných kyselin nebo jiných chemikálií, topných těles, otevřeného ohně a jiných zdrojů vysokých teplot. Mikroskop nepoužívejte v blízkosti hořlavých materiálů nebo látek (benzín, papír, lepenka, plast apod.), neboť stav se může při práci zahřívát a vyvolávat riziko požáru. Před otevřením stavu nebo výměnou žárovky osvětlení vždy mikroskop odpojte od zdroje napájení. Bez ohledu na typ žárovky (halogenová nebo obyčejná) ji nechejte před výměnou nějakou dobu vychladnout a vždy ji vyměňujte za žárovku stejného typu. Vždy používejte napájení o správném napětí tak, jak je uvedeno v technických údajích vašeho nového mikroskopu. Připojení přístroje do odlišné zásuvky může vést k poškození elektronických obvodů mikroskopu, spálení žárovky nebo dokonce vyvolat zkrat. Děti by měly mikroskop používat pouze pod dohledem dospělých osob. Při náhodném požití malého množství nebo baterie ihned vyhledejte lékařskou pomoc.

Bezpečnostní pokyny týkající se baterií

Vždy nakupujte baterie správné velikosti a typu, které jsou nevhodnější pro zamýšlený účel. Při výměně vždy nahrazujte celou sadu baterií a dbejte na to, abyste nemíchali staré a nové baterie, případně baterie různých typů. Před instalací baterií vyčistěte kontakty na baterii i na přístroji. Ujistěte se, zda jsou baterie instalovány ve správné polaritě (+ resp. -). V případě, že zařízení nebudete delší dobu používat, vyjměte z něj baterie. Použití baterie včas vyměňte. Baterie se nikdy nepokoušejte dobít, mohlo by dojít k úniku obsahu baterie, požáru nebo k explozi. Baterie nikdy nezkratujte, mohlo by to vést ke zvýšení teploty, úniku obsahu baterie nebo k explozi. Baterie se nikdy nepokoušejte oživit zahříváním. Po použití nezapomeňte přístroj vypnout. Baterie uchovávejte mimo dosah dětí, abyste předešli riziku spolknutí, vdechnutí nebo otravy.

Technické údaje

Obrazový snímač	5 Mpx (interpolací 12 Mpx)
Zvětšení	20–200–500x
Dostupná rozlišení obrazu	12 Mpx, 8 Mpx, 5 Mpx, 3 Mpx, 1,3 Mpx, VGA
Foto/Video	*.jpeg/*.avi
Formát karty	microSD až 32Gb (není součástí sady)
Objektiv	Vysoce kvalitní čočka
Displej	3,5" TFT displej, poměr stran 4:3
Osvětlení	Systém s 8 LED žárovkami, s regulací jasu
Napájení	Baterie Li-ion (3,7 V/1050 mAh) Provozní doba: 2 hodiny, doba nabíjení: 2 hodiny
Snímková rychlost	30 fps
Napájecí kabel	100–240 V, 50/60 Hz; výstup 5 V, 1 A
Jazyk OS	Angličtina, němčina, francouzština, španělština, italština, portugalština, japonština, čínština
Jazyk software	Angličtina, němčina, francouzština, španělština, ruština, italština, portugalština, polština, holandština, japonština, korejština, čínština
Rozměry (výška x šířka x hloubka)	227 x 104 x 149 mm
Hmotnost	760 g (včetně baterie)

Výrobce si vyhrazuje právo bez předchozího upozornění měnit sortiment a specifikace výrobků.

Systémové požadavky

Operační systém: Windows 7/8/10, Mac 10.6–10.15

CPU: minimálně P4 1,8 GHz, RAM: 512 MB, rozhraní: USB 2.0.

Mezinárodní doživotní záruka Levenhuk

Na veškeré teleskopy, mikroskopy, triedy a další optické výrobky značky Levenhuk, s výjimkou příslušenství, se poskytuje **doživotní záruka** pokrývající vady materiálu a provedení. Doživotní záruka je záruka platná po celou dobu životnosti produktu na trhu. Na veškeré příslušenství značky Levenhuk se poskytuje záruka toho, že je dodáváno bez jakýchkoli vad materiálu a provedení, a to po dobu **dvou let** od data zakoupení v maloobchodní prodejně. Tato záruka vám v případě splnění všech záručních podmínek dává nárok na bezplatnou opravu nebo výměnu výrobku značky Levenhuk v libovolné zemi, v níž se nachází pobočka společnosti Levenhuk.

Další informace – navštivte naše webové stránky: www.levenhuk.cz/zaruka

V případě problémů s uplatněním záruky, nebo pokud budete potřebovat pomoc při používání svého výrobku, obraťte se na místní pobočku společnosti Levenhuk.

Levenhuk DTX 500 LCD

Digitales Mikroskop

DE

Mikroskopkomponenten

- | | | | |
|---|---------------------------|----|---------------------------|
| 1 | LCD-Display | 9 | Helligkeits-Stellrad |
| 2 | MicroSD-Karteneinschub | 10 | Vergrößerungs-Einstellrad |
| 3 | Feinfokussierknopf | 11 | Buchse für Netzkabel |
| 4 | Optischer Mikroskopstubus | 12 | Cinch-Buchse |
| 5 | Objektstisch | 13 | USB-Buchse |
| 6 | Grobfokussierknopf | 14 | Batteriefach |
| 7 | Fokus-Arretierknopf | 15 | Batteriestandsanzeige |
| 8 | Auslöser-Taste | 16 | Funktionstasten |

Lieferumfang: Mikroskop, Lithium-Ionen-Akku, Stromkabel, Levenhuk DTX Installations-CD, USB-Schnittstelle, Cinch-Kabel (RCA), Bedienungsanleitung, Reinigungstuch, Kalibrierungsskala.

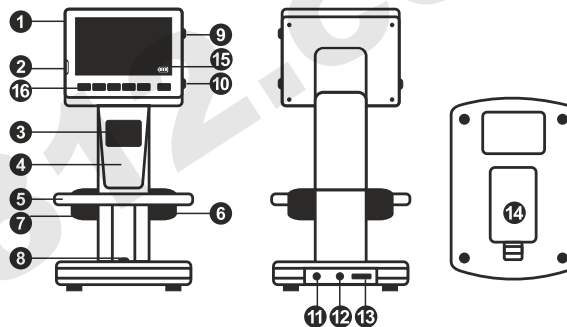
Zusammenbau des Mikroskops

Öffnen Sie das Batteriefach an der Unterseite des Mikroskopsockels. Legen Sie die Batterie in das Batteriefach ein. Achten Sie dabei auf korrekte Polung. Die Batterie muss vor dem ersten Einschalten des Mikroskops vollständig aufgeladen werden. Stecken Sie das Netzkabel in die Buchse am Sockel (11) des Mikroskops und schließen Sie das Netzteil an eine Stromquelle an. Die Batteriestandsanzeige (15) leuchtet rot auf. Die Anzeige erlischt, wenn die Batterie vollständig geladen ist. Anschließend können Sie das Mikroskop von der Stromquelle trennen und einschalten. Eine Batterieladung reicht für zwei Stunden Mikroskopbetrieb. Bei niedrigem Ladestand der Batterie wird die Beleuchtung abgedunkelt und die Bildqualität reduziert. Wenn dies geschieht, laden Sie die Batterie wie oben beschrieben.

Zum Speichern von Bild- und Videoaufnahmen ist eine microSD-Karte (separat erhältlich) erforderlich. Schalten Sie das Mikroskop aus und schieben Sie die microSD-Karte in den microSD-Schlitz am Mikroskopsockel ein, bis sie mit einem Klicken einrastet. Wenn Sie beim Einführen der microSD-Karte keine übermäßige Kraft an. Falls sich die Karte nicht leicht einrasten lässt, führen Sie sie anders herum ein. Formatieren Sie die Karte vor der Verwendung.

Einschalten des Mikroskops: drücken Sie den Einschalter (16). Ausschalten des Mikroskops: drücken Sie den Einschalter (16) erneut (weitere Informationen finden Sie unter Strom sparen).

Richten Sie das Instrument unter keinen Umständen direkt auf die Sonne, andere helle Lichtquellen oder Laserquellen. Es besteht die Gefahr DAUERHAFTER NETZZHAUTSCHÄDEN und ERBLINDUNGSGEFAHR.



Einzelbildmodus



Aufnahmereihe

00013/01618

Bildzähler/Anzahl möglicher Aufnahmen mit aktueller Auflösungsmicro



SD-Statussymbol

5.0M

Aktuelle Bildauflösung



Batteriestandsanzeige

Hinweis: Die Symbole der Benutzerführung lassen sich durch Drücken auf das Vergrößerungs-Einstellrad (10) ausblenden.

Arbeiten mit dem Mikroskop

Aufnehmen eines Bilds

Schalten Sie das Mikroskop ein und platzieren Sie eine Probe auf dem Objektisch. Regeln Sie die Helligkeit der Beleuchtung so, dass die Probe gleichmäßig ausgeleuchtet ist. Ändern Sie die Vergrößerung, stellen Sie, sofern erforderlich, das Bild scharf und arretieren Sie die Einstellung mit dem Fokus-Arretierknopf (7). Drücken Sie den Auslöser (8).

Aufzeichnen eines Videos

Drücken Sie die Taste ◀ (16), um in den Videomodus zu wechseln. Das Symbol oben links im Bildschirm zeigt den Videomodus an. Drücken Sie einmal auf den Auslöser (8), um die Aufzeichnung zu starten, und ein weiteres Mal, um sie zu stoppen.

Abspielen aufgezeichneter Videos

Drücken Sie die Taste ◀ (16), um in den Abspielmodus zu wechseln. Das Symbol oben links im Bildschirm zeigt den Abspielmodus an. Wählen Sie mit den Pfeiltasten (16) einen Videoclip aus, und drücken Sie **OK**, um ihn abzuspielen.

Löschen von Dateien

Drücken beim Durchsehen gespeicherter Dateien die Schraubenschlüssel-Taste (16), wählen Sie **Delete** (Löschen) und drücken Sie **OK**, um die Auswahl zu bestätigen. (Ein Menü wird angezeigt, in dem Sie auswählen können, ob Sie alles löschen möchten oder nur die gerade ausgewählte Datei.)

Schützen von Dateien

Drücken beim Durchsehen gespeicherter Dateien die Schraubenschlüssel-Taste (16), wählen Sie **Protect** (Schützen) und drücken Sie **OK**, um die Auswahl zu bestätigen. (Ein Menü wird angezeigt, in dem Sie auswählen können, ob Sie alles schützen möchten oder nur die gerade ausgewählte Datei.)

Diashow

Drücken Sie beim Durchsehen gespeicherter Dateien die Schraubenschlüssel-Taste (16), wählen Sie **Slide Show** (Diashow), und bestätigen Sie mit **OK**.

Farbe der Benutzerführung

Drücken Sie beim Durchsehen gespeicherter Dateien die Taste ▲, um zwischen verschiedenen Farbmodi umzuschalten.

Vergrößerung

Drehen Sie am Vergrößerungs-Einstellrad (10), um die Ansicht ein- oder auszuzoomen.

Hinweis: Der Vergrößerungsbereich des Levenhuk DTX 500 LCD ist 1x bis 4x.

Übertragen von Dateien an einen Computer

Schließen Sie das Mikroskop mit einem USB-Kabel an den Computer an. Wenn das Fenster für automatische Wiedergabe angezeigt wird, wählen Sie die Verwendung des Mikroskops als externes Speichergerät.

Hauptmenü

Drücken Sie die Schraubenschlüssel-Taste ◀ (16), um das Hauptmenü zu öffnen. In diesem Menü können Sie die Bildauflösung, die Bildqualität und die Bildschärfe einstellen sowie Parameter für Aufnahmereihen festlegen.

Auflösung

Wählen Sie im Hauptmenü die Option **Resolution** (Auflösung) und wählen Sie dann die gewünschte Bildauflösung. Bestätigen Sie mit **OK**.

Hinweis: Dieses Modell unterstützt die folgenden Auflösungen: VGA / 1,3M / 3M / 5M / 8M / 12M.

Aufnahmereihe

Wählen Sie im Hauptmenü die Option **Timer** (Zeitgeber) und stellen Sie im Dialogfelder **Frames** (Einzelbilder) die Gesamtanzahl der aufzunehmenden Bilder. Bestätigen Sie die Auswahl mit **OK**. Ein weiteres Dialogfenster wird angezeigt, in dem Sie mit den Tasten ▲ und ▼ das Intervall zwischen den einzelnen Aufnahmen einstellen können. Bestätigen Sie mit **OK** und kehren Sie mit ◀ in den Aufnahmemodus zurück. Drücken Sie den Auslöser, um mit der Aufnahmereihe zu beginnen. Zur Bestätigung ändert sich das Symbol oben links. Nachdem die eingestellte Anzahl Bilder aufgenommen wurde, kehrt der Bildschirm in den Standardaufnahmemodus zurück. Sie können eine Aufnahmereihe auch jederzeit durch Drücken des Auslösers beenden.

Qualität

Wählen Sie im Hauptmenü die Option **Quality** (Qualität) und wählen Sie eine der angebotenen Einstellungen. Diese Option ändert die Kompressionsrate der aufgenommenen Bilder.

Schärfe

Wählen Sie im Hauptmenü die Option **Sharpness** (Schärfe) und wählen Sie eine der angebotenen Einstellungen.

Sprache

Wählen Sie im Hauptmenü die Option **Language** (Sprache) und wählen Sie eine der angebotenen Einstellungen. Bestätigen Sie mit **OK**.

Strom sparen

Wählen Sie im Hauptmenü die Option **Power Save** (Strom sparen) und stellen Sie die Zeit ein, nach der sich das Mikroskop bei Ausbleiben von Benutzereingaben automatisch abschaltet.

Displayfrequenz

Wählen Sie im Hauptmenü die Option **Frequency** (Frequenz) und wählen Sie eine der angebotenen Einstellungen. Bestätigen Sie mit **OK**.

Datum- und Zeitanzeige

Wählen Sie im Hauptmenü die Option **Date Stamp** (Zeitstempel) und wählen Sie eine der angebotenen Einstellungen. Sie können nur das Datum oder sowohl Datum als auch Zeit anzeigen lassen. Bestätigen Sie mit **OK**.

TV-Verbindung

Wählen Sie im Hauptmenü die Option **TV Out** (TV-Ausgang) und wählen Sie eine der angebotenen Einstellungen. Bestätigen Sie mit **OK**.

Datum und Uhrzeit

Wählen Sie im Hauptmenü die Option **Date/Time** (Datum/Zeit) und wählen Sie eine der angebotenen Einstellungen. Bestätigen Sie mit **OK**. Sie können auch eines der folgenden Datumsformate auswählen: JJ/MM/DD, DD/MM/JJ oder MM/DD/JJ.

SD-Karte formatieren

Wählen Sie im Hauptmenü die Option **Format SD** (SD formatieren), um die eingelegte Speicherkarte zu formatieren.

Einstellungen zurücksetzen

Wählen Sie im Hauptmenü die Option **Sys. Reset** (Systemreset) aus, um die Werkseinstellungen wiederherzustellen.

Hardwareversion

Wählen Sie im Hauptmenü die Option Version, um die aktuelle Hardwareversion anzuzeigen.

PortableCapture Pro software

Legen Sie die Installations-CD ins CD-Laufwerk ein. Das Hauptmenü wird angezeigt. Klicken Sie auf **PortableCapture software**, um die Anwendung zu installieren, und folgen Sie den angezeigten Anweisungen. Beachten Sie, dass während der Installation ein Systemneustart erforderlich ist.

Schließen Sie das Mikroskop mit einem USB-Kabel an den Computer an. Wenn das Fenster für automatische Wiedergabe angezeigt wird, wählen Sie die Verwendung des Mikroskops als Kamera. Führen Sie die Anwendung PortableCapture Pro aus.

Hinweis: Wenn das Mikroskop als Kamera mit einem Computer verbunden ist, sind die Funktionstasten deaktiviert. Das Mikroskop wird über PortableCapture HD bedient. Alle Bilder und Videos werden auf der Festplatte des Computers gespeichert.



Bild aufnehmen



Videoaufnahme starten und stoppen



Aufnahmereihe (Startzeitpunkt, Intervall zwischen den einzelnen Bildern bzw. Videos, Videodauer und Anzahl der aufzunehmenden Bilder bzw. Videos sind wählbar)



Vollbildansicht. Zum Verlassen der Vollbildansicht **Esc** drücken oder irgendwo auf dem Bildschirm doppelklicken



Speichern



Zeichnung



In die Zwischenablage kopieren



Hinweis



Datei kopieren



Messung



Vorherige



Kalibrierung



Nächste



Rückgängig



Wiederherstellen

Datei

Foto-Verzeichnis: Verzeichnis zum Speichern aufgenommener Bilder wählen.

Video-Verzeichnis: Verzeichnis zum Speichern aufgezeichneter Videos wählen.

Optionen

Auflösung: Bildauflösung wählen.

Datum/Zeit: Datum und Uhrzeit der Aufnahme bei der Voransicht ausblenden oder anzeigen.

Sprache: Sprache der Benutzeroberfläche ändern.

Fadenkreuz: Gitter auf den Bildern anzeigen oder ausblenden.

Vollbildansicht: In Vollbildansicht wechseln.

Erfassen

Foto: Bild aufnehmen.

Video: Video aufzeichnen.

Aufnehmen eines Bilds. Klicken Sie auf das entsprechende Symbol in der Symbolleiste, oder wählen Sie im Menü **Erfassen** den Eintrag **Foto**.

Aufzeichnen eines Videos. Klicken Sie auf das entsprechende Symbol in der Symbolleiste, oder wählen Sie im Menü **Erfassen** den Eintrag **Video**.

Aufnahmereihe

Klicken Sie auf das entsprechende Symbol in der Symbolleiste. Es wird ein Dialogfenster angezeigt, in dem Sie eine Reihe von Parametern für die Erfassung von Bild- und Videosequenzen einstellen können. Klicken Sie für Bilder auf das Optionsfeld **Foto** und legen Sie den Anfangszeitpunkt der Aufnahmereihe, die Intervalle zwischen den Aufnahmen und die Gesamtzahl der aufzunehmenden Bilder fest. Klicken Sie für Videos auf das Optionsfeld **Video** und legen Sie den Anfangszeitpunkt der Aufnahmereihe, die Dauer der einzelnen Videos, das Intervall und die Gesamtzahl aufzunehmender Videos an.

Kalibrieren

Schalten Sie die Gitteranzeige ein, bevor Sie das Mikroskop kalibrieren. Wählen Sie dazu im Menü **Optionen** unter dem Eintrag **Fadenkreuz** die Option **ein**. Standardmäßig ist das Fadenkreuz sichtbar. Legen Sie die Kalibrierungsskala auf den Objektisch und stellen Sie das Bild scharf. Die vertikale Achse des Fadenkreuz muss parallel zur Skalenteilung verlaufen. Nehmen Sie ein Bild auf. Klicken Sie doppelt auf die Miniaturansicht des Bilds, um es in einem separaten Fenster zu öffnen. Starten Sie die Kalibrierung, indem Sie auf das entsprechende Symbol in der Symbolleiste klicken. Wählen Sie mit der Maus zwei Punkte auf dem Bild, deren tatsächlichen Abstand Sie kennen. Nachdem Sie den zweiten Punkt ausgewählt haben, öffnet sich ein Dialogfenster. Tragen Sie im Feld **Istmaß** den bekannten Abstand ein. Die Anwendung berechnet automatisch die Vergrößerung des Bilds. Klicken Sie auf **OK**. Das Dialogfenster wird geschlossen. Die berechnete Vergrößerung wird im Feld **Vergrößerung** angezeigt.

Hinweis: Die gewählten Punkte müssen auf einer horizontalen Linie liegen.

Zum Überprüfen der Kalibrierung können Sie mit dem Instrument **Abstand** erneut denselben Abstand vermessen. Klicken Sie auf das Messungen-Symbol, wählen Sie das Instrument **Abstand** und zeichnen Sie die entsprechende Linie auf dem Bild. Ist der gemessene Abstand gleich dem tatsächlichen Abstand, war die Kalibrierung erfolgreich.

Neukalibrierung

Wird während der Beobachtung die Vergrößerung oder die Scharfstellung verändert, muss die Kalibrierung wiederholt werden. Klicken Sie erneut auf das entsprechende Symbol in der Symbolleiste und wählen Sie unter **Vergrößerung zurücksetzen** die Option **Bildvergrößerung zurücksetzen**. Wiederholen Sie den Kalibriervorgang wie oben beschrieben. Ändern Sie die Vergrößerung und nehmen Sie einige Bilder auf. Klicken Sie doppelt auf die Miniaturansichten, um das entsprechende Bild in einem Vorschaufenster anzuzeigen. Klicken Sie in der Symbolleiste auf das Kalibrierungssymbol und wählen Sie unter **Vergrößerung einstellen** die Option **Bildvergrößerung einstellen**. Geben Sie in dem Dialogfenster, das angezeigt wird, die aktuelle Vergrößerung ein, und klicken Sie auf **OK**. Wenn Sie bei der Aufnahme von Bildern später dieselbe Vergrößerung erneut verwenden, klicken Sie auf das Kalibrierungssymbol in der Symbolleiste und wählen Sie unter **Vergrößerung einstellen** die Option **Vorschauvergrößerung einstellen**.

Messungen

Bevor Sie mit der Messung beginnen, muss das System kalibriert werden.

Abstand

Klicken Sie auf den Anfangspunkt der gewünschten Linie und halten Sie die linke Maustaste gedrückt. Ziehen Sie die Maus zum Endpunkt der Linie und lassen Sie die linke Maustaste los.

Linienzug

Mit diesem Instrument können Sie einen Linienzug auf dem Bild zeichnen und ihre Gesamtlänge messen.

Radius

Zeichnen Sie eine gerade Linie auf dem Bild. Die Anwendung berechnet automatisch den Radius sowie den Umfang und die Fläche des zu diesem Radius gehörigen Kreises.

Durchmesser

Zeichnen Sie eine gerade Linie auf dem Bild. Die Anwendung berechnet automatisch den Durchmesser sowie den Umfang und die Fläche des zu diesem Durchmesser gehörigen Kreises.

3 Punkte Winkel

Platzieren Sie mit der Maus drei Punkte auf dem Bild. Die Anwendung berechnet automatisch den eingeschlossenen Winkel.

Zeichnen und Beschriften

Mit PortableCapture Pro können Sie auf Ihren Bildern zeichnen oder sie mit Hinweisen versehen. Öffnen Sie ein Bild in einem Vorschaufenster und klicken Sie auf das Bleistiftsymbol in der Symbolleiste. Wählen Sie eines der Werkzeuge aus dem Dropdown-Menü und zeichnen Sie etwas auf dem Bild. Zum Ändern der Schriftart und -farbe von Hinweisen können Sie auf das **TT** Symbol in der Symbolleiste klicken.

Verwenden der Anwendung unter Mac OS

Öffnen Sie den Ordner **mac** auf der Installations-CD und kopieren Sie die Datei **PortableCapture Pro** auf den Schreibtisch. Schließen Sie das Mikroskop mit einem USB-Kabel an Ihren Computer an. Führen Sie das Programm „PortableCapture Pro“ aus. Klicken Sie dazu doppelt auf sein Symbol.

Das Hauptfenster des Programms zeigt ein vergrößertes Bild der beobachteten Probe. Wählen Sie zum Einstellen der Bildauflösung im Menü **Options** (Optionen) den Eintrag **Preview Size** (Voransichtsgröße). Denken Sie daran, dass die Größe des Voransichtsfensters nicht verändert werden kann (Standardauflösung: 640x480). Die Bildauflösung wird unten links im Voransichtsfenster angezeigt.

Wählen Sie im Menü **Optionen** den Eintrag **Datum/Zeit**, um Datum und Uhrzeit der Aufnahme bei der Vorsicht ausblenden oder anzeigen.

Um ein Bild aufzunehmen, wählen Sie im Menü **Capture** (Erfassen) den Eintrag **Photo** (Foto), oder klicken Sie auf das entsprechende Symbol in der Symbolleiste. Rechts im Hauptfenster erscheint eine Foto-Miniaturansicht. Um ein Video aufzunehmen, wählen Sie im Menü **Capture** (Erfassen) den Eintrag **Video** (Video), oder klicken Sie auf das entsprechende Symbol in der Symbolleiste. Rechts im Hauptfenster erscheint eine Video-Miniaturansicht.

Hinweis: Bei der Videoaufnahme wird das Camcorder-Symbol in der Symbolleiste rot. Klicken Sie erneut auf das Symbol, um die Aufnahme zu beenden.

Rechts im Hauptfenster des Programms werden Miniaturansichten der aufgenommenen Fotos und Videos angezeigt. Klicken Sie doppelt auf eine Miniaturansicht, um das zugehörige Bild in einem separaten Fenster zu öffnen. Das Bearbeiten von Bildern mit PortableCapture Pro erfolgt analog zur Arbeit mit anderen Programmen unter Mac OS.

Pflege und Wartung

Richten Sie das Instrument unter keinen Umständen direkt auf die Sonne, andere helle Lichtquellen oder Laserquellen. Es besteht die Gefahr DAUERHAFTER NETZZHAUTSCHÄDEN und ERBLINDUNGSGEFAHR. Treffen Sie geeignete Vorsichtsmaßnahmen, wenn Kinder oder Menschen das Instrument benutzen, die diese Anleitung nicht gelesen bzw. verstanden haben. Prüfen Sie nach dem Auspacken Ihres Mikroskops und vor der ersten Verwendung die einzelnen Komponenten und Verbindungen auf ihre Beständigkeit. Versuchen Sie nicht, das Instrument eigenmächtig auseinanderzunehmen. Wenden Sie sich für Reparaturen oder zur Reinigung an ein spezialisiertes Servicecenter vor Ort. Schützen Sie das Instrument vor plötzlichen Stößen und anderen mechanischen Belastungen. Üben Sie beim Fokussieren keinen übermäßigen Druck aus. Wenden Sie keine übermäßige Kraft auf die Feststellschrauben und Fixierungsschrauben an. Berühren Sie die optischen Oberflächen nicht mit den Fingern. Verwenden Sie zur äußerlichen Reinigung des Instruments ausschließlich die speziellen Reinigungstücher und das spezielle Optik-Reinigungszubehör von Levenhuk. Reinigen Sie die Optik nicht mit korrodierenden Flüssigkeiten oder Flüssigkeiten auf Acetonbasis. Schleifkörper wie Sandkörner dürfen nicht abgewischt werden. Sie können sie weggelassen oder einen weichen Pinsel verwenden. Das Instrument ist nicht für Dauerbetrieb ausgelegt. Lassen Sie das Instrument nicht in direktem Sonnenlicht zurück. Halten Sie das Instrument von Wasser und hoher Feuchtigkeit fern. Lassen Sie Sorgfalt bei der Beobachtung walten und setzen Sie nach Abschluss der Beobachtung die Staubabdeckung wieder auf, um das Gerät vor Staub und Verschmutzungen zu schützen. Bewahren Sie bei längeren Phasen der Nichtbenutzung die Objektivlinsen und Okulare getrennt vom Mikroskop auf. Lagern Sie das Instrument an einem trockenen, kühlen Ort, der frei von Staub, gefährlichen Säuren und anderen Chemikalien ist, und in ausreichendem Abstand zu Heizgeräten, offenem Feuer und anderen Hochtemperaturquellen. Setzen Sie das Mikroskop nach Möglichkeit nicht in der Nähe brennbarer Materialien oder Substanzen (Benzen, Papier, Karton, Plastik usw.) ein, da sich der Sockel bei der Verwendung erhitzen kann und dies bei Anwesenheit brennbarer Stoffe ein Brandrisiko darstellt. Trennen Sie das Mikroskop immer vom Strom, bevor Sie den Sockel öffnen oder die Beleuchtungslampe austauschen. Lassen Sie sowohl Glühlampen als auch Halogenlampen vor dem Auswechseln zunächst abkühlen, und ersetzen Sie sie stets durch Lampen

desselben Typs. Verwenden Sie stets eine Stromquelle mit der Spannung, die in den technischen Angaben zu Ihrem Mikroskop spezifiziert ist. Wird das Instrument an eine Steckdose mit abweichender Spannung angeschlossen, ist mit Beschädigung der elektrischen Schaltkreise des Mikroskops, Durchbrennen der Lampe oder sogar Kurzschlüssen zu rechnen. Kinder dürfen das Mikroskop nur unter Aufsicht Erwachsener verwenden. Bei Verschlucken eines Kleinteils oder einer Batterie umgehend ärztliche Hilfe suchen!

Sicherheitshinweise zum Umgang mit Batterien

Immer die richtige, für den beabsichtigten Einsatz am besten geeignete Batteriegröße und -art erwerben. Stets alle Batterien gleichzeitig ersetzen. Alte und neue Batterien oder Batterien verschiedenen Typs nicht mischen. Batteriekontakte und Kontakte am Instrument vor Installation der Batterien reinigen. Beim Einlegen der Batterien auf korrekte Polung (+ und -) achten. Batterien entnehmen, wenn das Instrument für einen längeren Zeitraum nicht benutzt werden soll. Verbrauchte Batterien umgehend entnehmen. Primärbatterien nicht wieder aufladen! Beim Aufladen von Primärbatterien können diese auslaufen; außerdem besteht Feuer- und Explosionsgefahr. Batterien nicht kurzschließen, um Hitzeentwicklung, Auslaufen oder Explosionen zu vermeiden. Batterien dürfen nicht zum Wiederbeleben erwärmt werden. Instrumente nach Verwendung ausschalten. Batterien für Kinder unzugänglich aufbewahren, um Verschlucken, Ersticken und Vergiftungen zu vermeiden.

Technische Daten

Bildsensor	5 Mpx (interpoliert bis 12 Mpx)
Vergrößerung	20–200–500x
Mögliche Bildauflösungen	12 Mpx, 8 Mpx, 5 Mpx, 3 Mpx, 1,3 Mpx, VGA
Foto-/Videoformat	*.jpeg/*.avi
Speicherkarte	microSD bis 32 GB (nicht im Lieferumfang)
Objektivlinse	Hochwertige Linse
Display	3,5"-TFT-Display, Seitenverhältnis 4:3
Beleuchtung	8-LED-System mit variabler Helligkeit
Stromquelle	Lithium-Ionen-Akku (3.7 V/1050 mAh) Betriebsdauer: 2 Stunden, Ladedauer: 2 Stunden
Einzelbildrate	30 fps
Netzteilkabel	Eingang: 100–240 V, 50/60 Hz; Ausgang: 5 V, 1 A
Sprache der Benutzerführung	Englisch, Deutsch, Spanisch, Italienisch, Französisch, Portugiesisch, Japanisch, Chinesisch
Software-Sprachen	Englisch, Deutsch, Spanisch, Russisch, Italienisch, Französisch, Portugiesisch, Niederländisch, Polnisch, Japanisch, Koreanisch, Chinesisch
Abmessungen (B x H x T)	227 x 104 x 149 mm
Gewicht	760 g (with the battery)

Der Hersteller behält sich das Recht vor, ohne Vorankündigung Änderungen an der Produktpalette und den technischen Daten vorzunehmen.

Systemanforderungen

Betriebssystem: Windows 7/8/10, Mac 10.6–10.15

CPU: Mindestens P4 1,8 GHz, RAM: 512 MB, GPU: 64 MB, Schnittstelle: USB 2.0

Zur Installation der Anwendung PortableCapture Pro wird ein CD-Laufwerk benötigt.

Lebenslange internationale Garantie

Levenhuk garantiert für alle Teleskope, Mikroskope, Ferngläser und anderen optischen Erzeugnisse mit Ausnahme von Zubehör **lebenslanglich** die Freiheit von Material- und Herstellungsfehlern. Die lebenslange Garantie ist eine Garantie, die für die gesamte Lebensdauer des Produkts am Markt gilt. Für Levenhuk-Zubehör gewährleistet Levenhuk die Freiheit von Material- und Herstellungsfehlern innerhalb von **zwei Jahren** ab Kaufdatum. Produkte oder Teile davon, bei denen im Rahmen einer Prüfung durch Levenhuk ein Material- oder Herstellungsfehler festgestellt wird, werden von Levenhuk repariert oder ausgetauscht. Voraussetzung für die Verpflichtung von Levenhuk zu Reparatur oder Austausch eines Produkts ist, dass dieses zusammen mit einem für Levenhuk ausreichenden Kaufbeleg an Levenhuk zurückgesendet wird. Weitere Einzelheiten entnehmen Sie bitte unserer Website: www.levenhuk.de/garantie Bei Problemen mit der Garantie, oder wenn Sie Unterstützung bei der Verwendung Ihres Produkts benötigen, wenden Sie sich an die lokale Levenhuk-Niederlassung.

Levenhuk DTX 500 LCD

Microscopio digital

ES

Nunca mire al Sol ni a otra fuente de luz intensa ni a un láser bajo ninguna circunstancia, ya que podría causarle **DAÑOS PERMANENTES EN LA RETINA** y podría provocar **CEGUERA**.

Partes del microscopio

- | | | | |
|---|------------------------------|----|--------------------------------------|
| 1 | Pantalla LCD | 9 | Rueda de ajuste del brillo |
| 2 | Ranura para tarjetas MicroSD | 10 | Rueda de ajuste de la ampliación |
| 3 | Mando de enfoque fino | 11 | Conector del cable de alimentación |
| 4 | Tubo óptico del microscopio | 12 | Conector RCA |
| 5 | Platina | 13 | Puerto USB |
| 6 | Mando de enfoque grueso | 14 | Compartimento de las baterías |
| 7 | Mando de bloqueo de enfoque | 15 | Indicador del estado de las baterías |
| 8 | Botón del disparador | 16 | Teclas de función |

El kit incluye: microscopio, batería recargable, cable de alimentación, cable USB, cable RCA, CD de instalación Levenhuk DTX, paño de limpieza, escala de calibrado, guía del usuario.

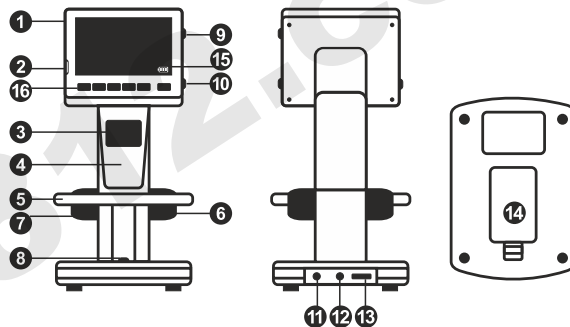
Montaje del microscopio

Abra el compartimento de las baterías en la parte inferior de la base del microscopio. Inserte la batería en el compartimento de las baterías haciendo coincidir la polaridad indicada.

La batería debe estar completamente cargada antes de encender el microscopio por primera vez. Enchufe el cable de alimentación en el conector para el cable de alimentación del cuerpo del microscopio (11) y conéctelo a un enchufe. El indicador del estado de la batería (15) se iluminará en rojo. Cuando la batería esté completamente cargada el indicador se apagará. Ahora puede desconectar el microscopio de la fuente de alimentación y encenderlo. La batería totalmente cargada le permite usar el microscopio durante dos horas. La intensidad de la iluminación y la calidad de la imagen disminuirán para informarle de que le queda poca batería. Cargue la batería siguiendo las instrucciones anteriores.

Es necesaria una tarjeta microSD (se compra por separado) para guardar las imágenes capturadas y los videos grabados. Apague el microscopio e inserte la tarjeta microSD en la ranura correspondiente en el cuerpo del microscopio hasta que se fije con un clic. No haga demasiada fuerza cuando inserte la tarjeta microSD. Intente rotar la tarjeta si no se fija fácilmente. Formatee la tarjeta antes de usarla.

Encender el microscopio: presione el botón de encendido (16). Apagar el microscopio: presione el botón de encendido (16) de nuevo (consulte la sección de Ahorro de energía para más información).



Icono del modo de captura de imagen



Icono del modo de captura de secuencia

00013/01618

Contador de imágenes capturadas/Número total de imágenes que se pueden capturar (según la resolución actual)



Icono del estado de la microSD

5.0M

Resolución de imagen actual



Indicador del estado de la batería

Nota: los iconos de la interfaz pueden ocultarse presionando la rueda de ajuste de la ampliación (10).

Uso del microscopio

Capturar una imagen

Encienda el microscopio y sitúe un espécimen en la platina. Ajuste el brillo de la luz de manera que el espécimen quede bien iluminado. Cambie la ampliación y enfoque de la vista si es necesario. A continuación fije los resultados con el mando de bloqueo de enfoque (7). Presione el botón disparador (8).

Grabar un vídeo

Pulse la tecla ◀ (16) para pasar al modo de vídeo. El icono en la esquina superior izquierda de la pantalla cambiará para confirmar. Presione el botón disparador (8) para comenzar a grabar y vuelva a presionarlo para parar.

Reproducir vídeos grabados

Pulse la tecla ◀ (16) para pasar al modo de reproducción. El icono en la esquina superior izquierda de la pantalla cambiará para confirmar. Seleccione el clip de vídeo deseado con las teclas de desplazamiento (16) y pulse **OK** para reproducirlo.

Borrar archivos

Cuando navegue por los archivos guardados, pulse la tecla **Wrench** ("Llave inglesa") (16), seleccione **Delete...** ("Borrar...") y pulse **OK** para confirmar la selección (puede elegir entre borrarlo todo o solo el archivo seleccionado en el menú).

Proteger archivos

Cuando navegue por los archivos guardados, pulse la tecla **Wrench** ("Llave inglesa") (16), seleccione **Protect** ("Proteger") y pulse **OK** para confirmar la selección (puede elegir entre protegerlo todo o solo el archivo seleccionado en el menú).

Pase de diapositivas

Cuando navegue por los archivos guardados, pulse la tecla **Wrench** ("Llave inglesa") (16), seleccione **Slide Show** ("Pase de diapositivas") y pulse **OK** para confirmar la selección.

Modo del color de la interfaz

Cuando navegue por los archivos guardados, pulse la tecla ▲ para cambiar entre los modos de color de la interfaz existentes.

Ampliación

Gire la rueda de ajuste de la ampliación (10) para acercar o alejar la vista.

Nota: el rango de ampliación del Levenhuk DTX 500 LCD es 1—4x.

Transferir archivos a un ordenador

Conecte el microscopio al ordenador mediante un cable USB y cuando aparezca la ventana de AutoPlay ("Reproducción automática") elija usar el microscopio como dispositivo de almacenamiento externo.

Menú principal

Pulse la tecla **Wrench** ("Llave inglesa") (16) para abrir el menú principal. Desde este menú puede ajustar la resolución de la imagen, la calidad y nitidez de la imagen y los parámetros para la captura de secuencias.

Resolución

Seleccione **Resolution** ("Resolución") en el menú principal y elija la resolución de imagen requerida. Pulse **OK** para confirmar la selección.

Nota: este modelo acepta las siguientes resoluciones: VGA / 1,3M / 3M / 5M / 8M / 12M.

Captura de secuencia

Seleccione **Timer** ("Temporizador") en el menú principal y seleccione el número total de imágenes que se capturarán en la ventana de diálogo **Frames** ("Fotogramas"). Confirme la selección pulsando **OK**. Aparecerá una nueva ventana de diálogo en la que podrá seleccionar el intervalo entre imágenes usando las teclas ▲ y ▼. Pulse **OK** para confirmar y ◀ para volver al modo de captura. Presione el botón del disparador para comenzar a capturar imágenes. El icono de la esquina superior izquierda cambiará como confirmación. Una vez capturado el número de imágenes seleccionado, la pantalla volverá al modo de captura estándar. Presione el botón del disparador en cualquier momento para detener la captura de secuencia.

Calidad

Seleccione **Quality** ("Calidad") en el menú principal y escoja uno de los ajustes existentes. Esto cambiará el ratio de compresión de las imágenes capturadas.

Nitidez

Seleccione **Sharpness** ("Nitidez") en el menú principal y escoja uno de los ajustes existentes.

Idioma

Seleccione **Language** ("Idioma") en el menú principal y elija uno de los ajustes existentes. Pulse **OK** para confirmar la selección.

Ahorro de energía

Seleccione **Power Save** ("Ahorro de energía") en el menú principal e indique el tiempo de inactividad hasta que el microscopio se apague automáticamente.

Frecuencia de la pantalla

Seleccione **Frequency** ("Frecuencia") en el menú principal y elija uno de los ajustes existentes. Pulse **OK** para confirmar la selección.

Fecha y hora

Seleccione **Date/Time** ("Fecha/Hora") en el menú principal y selecciona la fecha y hora actuales. Pulse **OK** para confirmar la entrada. También puede elegir uno de los siguientes formatos para la fecha: AA/MM/DD, DD/MM/AA o MM/DD/AA

Conexión a TV

Seleccione **TV Out** ("Salida de televisión") en el menú principal y elija uno de los ajustes existentes. Pulse **OK** para confirmar la selección.

Formateo de la tarjeta SD

Seleccione **Format SD** (Formatear SD") en el menú principal para formatear la tarjeta de memoria instalada.

Restaurar ajustes

Seleccione **Sys. Reset** ("Restaurar sis.") en el menú principal para volver a los ajustes de fábrica.

Versión de hardware

Seleccione **Version** ("Versión") en el menú principal para comprobar la versión actual del hardware.

Conectar el microscopio a un televisor

Enchufe el cable RCA al microscopio y conéctelo a su televisor (consulte la guía de usuario de su televisor para más información). Encienda el televisor y seleccione el canal correcto en el menú correspondiente del televisor (consulte la guía de usuario de su televisor para más información).

Aplicación PortableCapture Pro

Introduzca el CD de instalación en el lector de CD. Aparecerá la ventana del Menú Principal. Haga clic en PortableCapture software para instalar la aplicación. Recuerde que durante la instalación será necesario reiniciar el sistema.

Conecte el microscopio al ordenador mediante un cable USB y cuando aparezca la ventana de AutoPlay ("Reproducción automática") elija usar el microscopio como cámara. Abra la aplicación PortableCapture Pro (consulte la sección PortableCapture Pro software ("Aplicación PortableCapture Pro") para más información).

Nota: las teclas de función están deshabilitadas cuando el microscopio se conecta al ordenador como cámara. El microscopio se maneja con la aplicación PortableCapture Pro. Todas las imágenes y vídeos se guardan en el disco duro del ordenador.



Capturar una imagen



Iniciar y detener la grabación de vídeo



Captura de secuencia (puede ajustar la hora a la que se iniciará la captura de imágenes o vídeos, el intervalo entre ellos, la duración del vídeo y el número de imágenes o vídeos a capturar)



Modo de pantalla completa. Para salir del modo de pantalla completa pulse **Esc** en su teclado o haga doble clic en cualquier punto de la pantalla



Guardar



Dibujar



Copiar al portapapeles



Nota



Copiar archivo



Medición



Imagen anterior



Calibrado



Imagen siguiente



Deshacer



Rehacer

File (Archivo)

Photos Directory (Directorio de fotos): indique un directorio para las imágenes capturadas.

Videos Directory (Directorio de videos): indique un directorio para los videos grabados.

Options (Opciones)

Resolution (Resolución): ajuste la resolución de la imagen.

Date/Time (Fecha/Hora): oculte o muestre la fecha y hora de la captura en la previsualización.

Language (Idioma): cambie el idioma de la interfaz de usuario.

Crossing (Cuadrícula): ocultar o mostrar una cuadrícula en las imágenes.

Fullscreen Mode (Modo de pantalla completa): activar el modo de pantalla completa.

Capture (Capturar)

Photo (Foto): capturar una imagen.

Video (Video): grabar un video.

Capturar una imagen

Haga clic en el icono correspondiente en la barra de herramientas o seleccione **Foto** en el menú de **Capturar**.

Grabar un video

Haga clic en el icono correspondiente en la barra de herramientas o seleccione **Video** en el menú de **Capturar**.

Captura de secuencia

Haga clic en el icono correspondiente en la barra de herramientas. Aparecerá una ventana de diálogo en la que podrá ajustar varios parámetros de la captura de secuencia. Haga clic en el botón de radio **Foto** para indicar la hora a la que se empezarán a capturar imágenes, el intervalo entre ellas y el número total de imágenes. Haga clic en el botón de radio **Video** para indicar la hora a la que se empezarán a grabar videos, su duración, el intervalo entre ellos y el número total de clips.

Calibrado

Antes de calibrar el microscopio active la cuadrícula. Para hacerlo, seleccione **Activar en Opciones > Cuadrícula**. Por defecto la cuadrícula está visible. Sitúe la escala de calibrado en la platina y enfoque la vista. Asegúrese de que el eje vertical de la cuadrícula esté paralelo a las divisiones de la escala y capture una imagen. Haga doble clic en la miniatura de la imagen para abrirla en una ventana separada. Haga clic en el icono correspondiente en la barra de herramientas para empezar el calibrado. Con el ratón, elija dos puntos de la imagen (debe saber la distancia real entre esos puntos). Una vez elegido el segundo punto se abrirá una ventana de diálogo en la que deberá introducir la distancia conocida en el campo **Tamaño actual**. La aplicación calculará automáticamente la ampliación de la imagen. Haga clic en **OK** para cerrar la ventana de diálogo. La ampliación calculada se mostrará en el campo **Ampliación**.

Nota: los puntos elegidos deben formar una línea horizontal.

Puede comprobar los resultados del calibrado midiendo la misma distancia con la herramienta de **Línea de cualquier ángulo**. Haga clic en el icono de mediciones, elija la herramienta de **Línea de cualquier ángulo** y dibuje una línea similar en la imagen. Si la distancia medida es igual a la distancia real, el calibrado se ha logrado.

Recalibrado

El proceso de calibrado debe repetirse si durante las observaciones se cambia la ampliación o el enfoque. Haga clic en el icono correspondiente en la barra de herramientas y seleccione **Restaurar la ampliación de la foto en Restaurar la ampliación**. Repita el proceso de calibrado tal y como le hemos indicado anteriormente. Cambie la ampliación y capture unas cuantas imágenes. Haga doble clic en una de las miniaturas para abrir la imagen en una ventana de previsualización. Haga clic en el icono de calibrado en la barra de herramientas y seleccione **Ajustar la ampliación de la foto en Ajustar la ampliación**. Introduzca la ampliación actual en la ventana de diálogo que aparece y haga clic en **OK**. Si desea utilizar la misma ampliación cuando capture imágenes en el futuro, haga clic en el icono de calibrado en la barra de herramientas y seleccione **Ajustar la ampliación de la captura en Ajustar la ampliación**.

Mediciones

Se recomienda calibrar el sistema antes de proceder con las mediciones.

Línea de cualquier ángulo. Mantenga presionado el botón izquierdo del ratón para comenzar a dibujar una línea. Suelte el botón izquierdo para completarla.

Línea continua. Use esta herramienta para dibujar una curva en la imagen y medir su longitud.

Radio del círculo. Dibuje una línea recta en la imagen. La aplicación calculará automáticamente el radio, la circunferencia y el área del círculo correspondiente.

Diámetro del círculo. Dibuje una línea recta en la imagen. La aplicación calculará automáticamente el diámetro, la circunferencia y el área del círculo correspondiente.

Ángulo de tres puntos. Sitúe tres puntos en la imagen con el ratón. La aplicación calculará automáticamente el valor del ángulo.

Dibujo y texto

PortableCapture Pro le permite añadir dibujos y cuadros de texto a sus imágenes. Abra una imagen en la ventana de previsualización y haga clic en el icono del lápiz en la barra de herramientas. Seleccione una de las herramientas del menú desplegable y dibuje algo en la imagen. Puede editar la fuente y el color de los cuadros de texto haciendo clic en el icono **TT** de la barra de herramientas.

Trabajar con la aplicación para usuarios de Mac OS

Navegue hasta la carpeta **mac** en el CD de instalación y copie el archivo **PortableCapture Pro** al escritorio. Use un cable USB para conectar el microscopio al ordenador. Inicie la aplicación PortableCapture Pro haciendo doble clic en su icono.

En la ventana principal de la aplicación se puede ver una imagen ampliada del espécimen observado. En el menú **Options** ("Opciones"), seleccione **Preview Size** ("Tamaño de la vista") para seleccionar la resolución de la imagen. Recuerde que la ventana de la vista preliminar no se puede cambiar de tamaño (la resolución estándar es de 640x480).

La resolución de la imagen se muestra en la esquina inferior izquierda de la ventana de vista previa. En el menú **Options** ("Opciones"), seleccione **Date/Time** ("Fecha/Hora") para mostrar o esconder la fecha y la hora de la captura durante la vista previa.

Haga clic en el icono correspondiente en la barra de herramientas o seleccione **Photo** ("Foto") en el menú **Capture** ("Captura") para capturar una imagen. En el lado derecho de la ventana principal aparecerá una imagen en miniatura.

Haga clic en el icono correspondiente en la barra de herramientas o seleccione **Video** ("Video") en el menú **Capture** ("Captura") para empezar a grabar un vídeo. En el lado derecho de la ventana principal aparecerá un vídeo en miniatura.

Nota: durante la grabación, el icono de la cámara de vídeo de la barra de herramientas se mostrará en rojo. Haga clic de nuevo en el icono para detener la grabación.

Las miniaturas de imágenes y vídeo se muestran en el lado derecho de la ventana principal de la aplicación. Haga doble clic en una imagen en miniatura para abrirla en una ventana de vista previa separada. Editar imágenes con la aplicación PortableCapture Pro es similar a trabajar con otras aplicaciones en Mac OS.

Cuidado y mantenimiento

Nunca, bajo ninguna circunstancia, mire directamente al sol, a otra fuente de luz intensa o a un láser a través de este instrumento, ya que esto podría causar **DAÑO PERMANENTE EN LA RETINA Y CEGUERA**. Tome las precauciones necesarias si utiliza este instrumento acompañado de niños o de otras personas que no hayan leído o que no comprendan totalmente estas instrucciones. Tras desembalar el microscopio y antes de utilizarlo por primera vez, compruebe el estado y la durabilidad de cada componente y cada conexión. No intente desmontar el instrumento usted mismo bajo ningún concepto, ni siquiera para limpiar el espejo. Si necesita repararlo o limpiarlo, contacte con el servicio técnico especializado que corresponda a su zona. Proteja el instrumento de impactos súbitos y de fuerza mecánica excesiva. No aplique una presión excesiva al ajustar el foco. No apriete demasiado los tornillos de bloqueo. No toque las superficies ópticas con los dedos. Para limpiar el exterior del instrumento, utilice únicamente los paños y herramientas de limpieza especiales de Levenhuk. No limpie las superficies ópticas con fluidos corrosivos ni a base de acetonas. No limpie las partículas abrasivas, como por ejemplo arena, con un paño. Únicamente soplelas o bien pase un cepillo blando. No utilice este dispositivo durante periodos largos de tiempo ni lo deje sin atender bajo la luz directa del sol. Protéjalo del agua y la alta humedad. Tenga cuidado durante las observaciones y cuando termine recuerde volver a colocar la cubierta para proteger el dispositivo del polvo y las manchas. Si no va a utilizar el microscopio durante periodos largos de tiempo, guarde las lentes del objetivo y los oculares por separado del microscopio. Guarde el instrumento en un lugar seco y fresco, alejado de ácidos peligrosos y otros productos químicos, radiadores, de fuego y de otras fuentes de altas temperaturas. Cuando uses el microscopio intenta no hacerlo cerca de materiales o sustancias inflamables (benceno, papel, cartón, plástico, etc.) ya que la base puede calentarse con el uso y suponer un riesgo de incendio. Desconecta siempre el microscopio de la fuente de alimentación antes de abrir la base o cambiar la bombilla. Independientemente del tipo de lámpara (halógena o incandescente), dale tiempo de enfriarse antes de cambiarla y sustitúyela siempre por otra del mismo tipo. Utiliza siempre una fuente de alimentación con el voltaje apropiado, el indicado en las especificaciones de tu nuevo microscopio. Si conectas el instrumento a un enchufe distinto podrías dañar el circuito eléctrico, fundir la lámpara o incluso provocar un cortocircuito. Los niños únicamente deben utilizar este microscopio bajo la supervisión de un adulto. En el caso de que alguien se trague una pieza pequeña o una pila, busque ayuda médica inmediatamente.

Instrucciones de seguridad para las pilas

Compre siempre las pilas del tamaño y grado indicado para el uso previsto. Reemplace siempre todas las pilas al mismo tiempo. No mezcle pilas viejas y nuevas, ni pilas de diferentes tipos. Limpie los contactos de las pilas y del instrumento antes de instalarlas. Asegúrese de instalar las pilas correctamente según su polaridad (+ y -). Quite las pilas si no va a utilizar el instrumento durante un periodo largo de tiempo. Retire lo antes posible las pilas agotadas. No intente nunca recargar pilas primarias (pilas de un solo uso) ya que podría provocar fugas, fuego una o explosión. No cortocircuite nunca las pilas ya que podría aumentar su temperatura y podría provocar fugas o una explosión. Nunca caliente las pilas para intentar reavivarlas. Recuerde apagar el instrumento después de usarlo. Mantenga las pilas fuera del alcance de los niños para eliminar el riesgo de ingestión, asfixia o envenenamiento. Deseche las pilas usadas tal como lo indiquen las leyes de su país.

Especificaciones

Sensor de la imagen	5 Mpx (hasta 12 Mpx interpolados)
Ampliación	20–200–500x
Resoluciones de imagen disponibles	12 Mpx, 8 Mpx, 5 Mpx, 3 Mpx, 1,3 Mpx, VGA
Formato de foto/vídeo	*.jpeg/*.avi
Tarjeta de memoria	microSD de hasta 32Gb (no incluida)
Lente del objetivo	Lente de alta calidad
Pantalla	Pantalla TFT de 3,5 pulgadas, ratio 4:3
Iluminación	Sistema de 8-LED con brillo variable
Fuente de alimentación	Batería de Li-ion (3,7 V/1050 mAh)
	Tiempo de uso: 2 horas; tiempo de carga: 2 horas
Fotogramas	30 fps
Cable de alimentación	IN 100–240 V, 50/60 Hz; 5 V, OUT 1 A
Idioma del sistema	Inglés, alemán, español, italiano, francés, portugués, japonés y chino
Idioma del software	Inglés, alemán, español, ruso, italiano, francés, portugués, holandés, polaco, japonés, coreano y chino
Dimensiones	227 x 104 x 149 mm
Peso	760 g (con batería)

El fabricante se reserva el derecho de realizar cambios en la gama de productos y en las especificaciones sin previo aviso.

Requisitos del sistema

Sistema operativo: Windows 7/8/10, Mac 10.6–10.15

CPU: al menos P4 1,8 GHz, RAM: 512 MB, GPU: 64 MB, Interfaz: USB 2.0.

Se necesita un lector de CD para instalar la aplicación PortableCapture Pro.

Garantía internacional de por vida Levenhuk

Todos los telescopios, microscopios, prismáticos y otros productos ópticos de Levenhuk, excepto los accesorios, cuentan con una **garantía de por vida** contra defectos de material y de mano de obra. La garantía de por vida es una garantía a lo largo de la vida del producto en el mercado. Todos los accesorios Levenhuk están garantizados contra defectos de material y de mano de obra durante **dos años** a partir de la fecha de compra en el minorista. Levenhuk reparará o reemplazará cualquier producto o pieza que, una vez inspeccionada por Levenhuk, se determine que tiene defectos de materiales o de mano de obra. Para que Levenhuk pueda reparar o reemplazar estos productos, deben devolverse a Levenhuk junto con una prueba de compra que Levenhuk considere satisfactoria. Para más detalles visite nuestra página web: www.levenhuk.es/garantia
En caso de problemas con la garantía o si necesita ayuda en el uso de su producto, contacte con su oficina de Levenhuk más cercana.

Levenhuk DTX 500 LCD

Digitális mikroszkóp

HU

A mikroszkóp alkatrészei

- | | | | |
|---|------------------------------|----|-------------------------------|
| 1 | LCD-kijelző | 9 | Fényerősség-állító kerék |
| 2 | MicroSD-kártyafoglat | 10 | Nagyítás-szabályozó kerék |
| 3 | Finom-fókuszállító gomb | 11 | Tápkábel-aljzat |
| 4 | Mikroszkóp optikai tubusa | 12 | RCA-aljzat |
| 5 | Tárgyasztal | 13 | USB-aljzat |
| 6 | Durva-fókuszállító gomb | 14 | Elemtartó rekesz |
| 7 | A fókuszállító szorítógombja | 15 | Az akkumulátor állapotjelzője |
| 8 | Zárgomb | 16 | Funkciógombok |

A készlet tartalma: mikroszkóp, újratölthető akkumulátor, tápkábel, USB-kábel, RCA-kábel, Levenhuk DTX telepítő CD, tisztítókendő, felhasználói útmutató, kalibrációs skála.

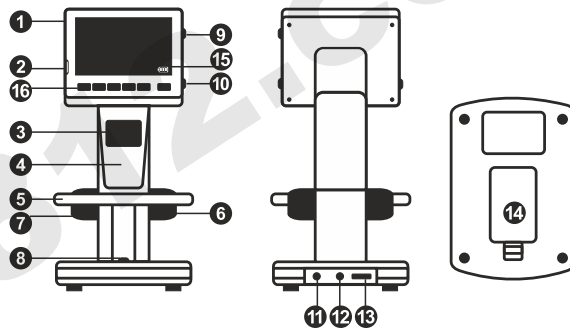
A mikroszkóp összeszerelése

Nyissa ki a mikroszkóp talapatának alján található elemtartó rekeszt. Helyezze be az elemet az elem pólusainak megfelelően. A mikroszkóp első használata (bekapcsolása) előtt az elemet teljesen tölts fel. Csatlakoztassa a tápkábelt a mikroszkóp vázán (11) található aljzatba, majd csatlakoztassa a tápellátáshoz. Az akkumulátor állapotjelzője (15) vörösre változik. Ha az elem teljesen feltöltődött, akkor az állapotjelző kialszik. Ekkor csatlakoztassa le a tápellátásról a mikroszkópot, majd kapcsolja be. A teljesen feltöltött elemmel maximálisan két óra hosszágig használhatja a mikroszkópot. A világítás gyengébb lesz, a kép minősége pedig romlani fog, jelezve, hogy az elem le fog merülni. A fentiek szerint tölts fel az elemet.

A felvett képek és rögzített felvételek elmentéséhez microSD-kártyára (külön kapható) van szükség. Kapcsolja ki a mikroszkópot, majd helyezze be a microSD-kártyát a mikroszkóp vázának megfelelő foglatába úgy, hogy az a helyére pattanjon. Behelyezéskor ne nyomja meg túlzott erővel a microSD-kártyát. Ha a kártya nem illeszkedik könnyedén a helyére, akkor fordítsa meg a kártyát. Használat előtt formátlálja a kártyát.

A mikroszkóp bekapcsolásához nyomja meg a főkapcsoló gombot (16). A mikroszkóp kikapcsolásához nyomja meg a főkapcsoló gombot (16) még egyszer (lásd az Energiatakarékosság c. részt a részletekkel kapcsolatban).

Az eszköznek a használatával soha, semmilyen körülmények között ne nézzen közvetlenül a Napba, vagy egyéb, nagyon erős fényforrásba vagy lézersugárba, mert ez **MARADANDÓ KÁROSODÁST OKOZ A RETINÁJÁBAN ÉS MEG IS VAKULHAT.**



Képfelvétel üzemmód ikonja



Sorozatfelvétel üzemmód ikonja

00013/01618

Rögzített képek számlálója/A rögzíthető összes kép száma (a jelenlegi felbontás alapján)



MicroSD állapotikon

5.0M

Jelenlegi képfelbontás



Az akkumulátor állapotjelzője

Megjegyzés: a kezelőfelületen az ikonok a nagyítás-szabályozó kerék (10) megnyomásával elrejtethők.

A mikroszkóp használata

Kép rögzítése

Kapcsolja be a mikroszkópot és helyezzen egy mintát a tárgyasztalra. Állítsa be a világítás fényerejét úgy, hogy a minta kellően megvilágított legyen. Módosítsa a nagyítási fokot és ha szükséges, fókuszálja be a képet, azután a fókuszállító szorítógombjával (7) rögzítse a helyén a kapott képet. Nyomja meg a zárgombot (8).

Videó rögzítése

Nyomja meg a ◀ gombot (16) a videó üzemmódra váltáshoz. A művelet megerősítéseként a képernyő bal felső sarkában található ikon megváltozik. A felvétel megkezdéséhez nyomja meg a zárgombot (8), a felvétel leállításához ismételten nyomja meg a gombot.

A rögzített videók lejátszása

Nyomja meg a ◀ gombot (16) a lejátszási üzemmódra váltáshoz. A művelet megerősítéseként a képernyő bal felső sarkában található ikon megváltozik. A görgető gombok (16) segítségével válassza ki a kívánt videofelvételt, majd a lejátszáshoz nyomja meg az OK gombot.

Fájlok törlése

Amikor az elmentett fájlokat böngésszi, nyomja meg a **Csavarkulcs** gombot (16), válassza ki a **Delete...** (Törlés...) elemet, majd a kiválasztás megerősítéséhez nyomja meg az **OK** gombot (választhatja azt, hogy minden fájljt vagy csak a megjelenített menü kiválasztott fájlját törölje a rendszer).

Fájlok megőrzése

Amikor az elmentett fájlokat böngésszi, nyomja meg a **Csavarkulcs** gombot (16), válassza ki a **Protect** (Megőrzés) elemet, majd a kiválasztás megerősítéséhez nyomja meg az **OK** gombot (választhatja azt, hogy minden fájljt vagy csak a megjelenített menü kiválasztott fájlját őrizze meg a rendszer).

Diavetítés

Amikor az elmentett fájlokat böngésszi, nyomja meg a **Csavarkulcs** gombot (16), válassza ki a **Slide Show** (Diavetítés) elemet, majd a kiválasztás megerősítéséhez nyomja meg az **OK** gombot.

Kezelőfelület színmódja

Amikor az elmentett fájlokat böngésszi, nyomja meg az ▲ gombot a kezelőfelület meglévő színmódjai közötti váltáshoz.

Nagyítás

A nézet nagyításához vagy kicsinyítéséhez (zoom in, zoom out) görgesse a nagyítás-szabályozó kereket (10).

Megjegyzés: a Discovery Artisan 128 nagyítási tartománya: 1—4x.

Fájlok továbbítása számítógépre

Csatlakoztassa a mikroszkópot a számítógépéhez egy USB-kábellel, és az AutoPlay ablak megjelenésekor válassza ki, hogy a mikroszkópot szeretné használni külső tárolóeszközként.

Főmenü

A főmenü megnyitásához nyomja meg a **Csavarkulcs** gombot (16). Ebben a menüben állítható be a kép felbontása, a kép minősége és élessége, valamint a sorozatfelvétel paramétere.

Felbontás

A főmenüben válassza ki a **Resolution** (Felbontás) menüpontot a kívánt képfelbontás kiválasztásához. Nyomja meg az **OK** gombot a kiválasztás megerősítéséhez.

Megjegyzés: a modell a következő felbontásokat támogatja: VGA / 1,3M / 3M / 5M / 8M / 12M.

Sorozatfelvétel

A főmenüben válassza ki a **Timer** (Időzítő) elemet, és a **Frames** (Képkockák) párbeszéd-ablakban válassza ki a rögzíteni kívánt képek számát. Az **OK** gomb megnyomásával erősítse meg a kiválasztást. Ekkor új párbeszéd-ablak nyílik meg, amelyen a ▲ és ▼ gombok segítségével beállítható a képek közötti időtartam. A megerősítéshez nyomja meg az **OK** gombot, a ◀ gombbal pedig visszatérhet a felvétel üzemmódhoz. A képek rögzítésének megkezdéséhez nyomja meg a zárgombot. A művelet megerősítéseként a bal felső sarokban található ikon megváltozik. A beállított számú kép elkészülte után a képernyő visszatér normál felvételi üzemmódba. Ha bármikor is megnyomja a zárgombot, a sorozatfelvétel leáll.

Minőség

Válassza ki a **Quality** (Minőség) opciót a főmenüből, majd válasszon az egyik meglévő beállításból. Ezzel megváltozik a rögzített képek tömörítési aránya.

Élesség

Válassza ki a **Sharpness** (Élesség) opciót a főmenüből, majd válasszon az egyik meglévő beállításból.

Nyelv

Válassza ki a **Language** (Nyelv) opciót a főmenüből, majd válasszon az egyik meglévő beállításból. Nyomja meg az **OK** gombot a kiválasztás megerősítéséhez.

Energiatakarékos üzemmód

Válassza ki a **Power Save** (Energiatakarékos mód) lehetőséget a főmenüből, és állítsa be azt az inaktív időtartamot, amelynek eltelte után a mikroszkóp automatikusan kikapcsoljon.

Kijelző frekvenciája

Válassza ki a **Frequency** (Frekvencia) opciót a főmenüből, majd válasszon az egyik meglévő beállításból. Nyomja meg az **OK** gombot a kiválasztás megerősítéséhez.

Dátum és idő megjelenítése

Válassza ki a **Date Stamp** (Időbélyeg) opciót a főmenüből, majd válasszon az egyik meglévő beállításból. Kiválaszthatja, hogy csak a dátumot, vagy egyszerre a dátumot és az időt is szeretné-e megjeleníteni. Nyomja meg az **OK** gombot a kiválasztás megerősítéséhez.

TV-csatlakozás

Válassza ki a **TV Out** (TV-kimenet) opciót a főmenüből, majd válasszon az egyik meglévő beállításból. Nyomja meg az **OK** gombot a kiválasztás megerősítéséhez.

Dátum és idő

Válassza ki a **Date/Time** (Dátum és idő) opciót a főmenüből, majd állítsa be az aktuális dátumot és időt. Nyomja meg az **OK** gombot a bevitt adat megerősítéséhez. Kiválaszthatja továbbá az alábbi dátumformátumok egyikét is: ÉÉ/HH/NN, NN/HH/ÉÉ vagy HH/NN/ÉÉ.

SD-kártya formázása

Válassza ki a **Format SD** (SD-kártya formázása) opciót a főmenüből a telepített memóriakártya formázásához.

A beállítások visszaállítása

A gyári beállítások visszaállításához válassza ki a főmenüből a **Sys. Reset** (Rendszerbeállítások visszaállítása) lehetőséget.

Hardververzió

Válassza ki a **Version** (Verzió) opciót a főmenüből a jelenlegi hardververzió megtekintéséhez.

A mikroszkóp csatlakoztatása televíziókészülékhez

Csatlakoztassa az RCA-kábelt a mikroszkóphoz, majd csatlakoztassa a televíziókészülékhez (további tudnivalót a televíziókészüléke felhasználói útmutatójában talál). Kapcsolja be a televíziókészüléket, majd a készülék vonatkozó menüjéből válassza ki a megfelelő csatornát (további tudnivalót a televíziókészüléke felhasználói útmutatójában talál).

PortableCapture Pro szoftver

Helyezze a telepítő CD-t a CD-meghajtóba. Megjelenik a Főmenü ablak. Válassza ki a **PortableCapture software** (PortableCapture szoftver) lehetőséget a PortableCapture Pro alkalmazás telepítéséhez. Felhívjuk szíves figyelmét, hogy a telepítés során újra kell majd indítani a rendszert. A telepítő CD-n megtalálható a jelen Felhasználói útmutató másolati példánya, amit elolvashat, ha rákattint a megfelelő bejegyzésre a Főmenüben.

Csatlakoztassa a mikroszkópot a számítógéphez az USB kábellel, és futtassa a PortableCapture Pro alkalmazást. Egy felugró üzenet figyelmezteti Önt, ha a mikroszkóp nem csatlakozik a számítógéphez.

Megjegyzés: amikor a mikroszkóp kameraként csatlakozik egy számítógéphez, a funkciógombok inaktívó válnak. A mikroszkóp a PortableCapture Pro alkalmazásban keresztlül kezelhető. A rendszer valamennyi képet és videót a számítógép merevlemezére ment.



Képrögzítés



Videofelvétel indítása és leállítása



Sorozatfelvétel (megadhatja az időtartamot a képek vagy videók rögzítésének megkezdéséhez, beállíthatja a felvételek közötti intervallumot, a videó időtartamát és a rögzítendő képek vagy videók számát)



Teljes képernyő mód. A teljes képernyő módból való kilépéshez nyomja meg az **Escape** (Kilépés) gombot a billentyűzeten, vagy kattintson duplán bárhová a képernyőn



Mentés másként



Rajz



Másolás a vágólapra



Szöveg



Fájlmásolás



Mérés



Előző kép



Kalibrálás



Következő kép



Az utolsó művelet visszavonása



Az utolsó művelet megismétlése

File (Fájl)

Photos Directory (Fényképkönyvtár): a rögzített képek könyvtárának beállítására szolgál.

Videos Directory (Videókönyvtár): a rögzített videók könyvtárának beállítására szolgál.

Options (Beállítások)

Resolution (Felbontás): a képfelbontás beállítására szolgál.

Date/Time (Dátum/Idő): elrejtí vagy megjeleníti a rögzítés dátumát és idejét az előnézetben.

Language (Nyelv): a felhasználói felület nyelvének megváltoztatására szolgál.

Crossing (Keresztezés): elrejtí vagy megjeleníti a rácsot a képeken.

Full screen mode (Teljes képernyős mód): teljes képernyős megjelenítés.

Capture (Rögzítés)

Photo (Fénykép): képrögzítésre szolgál.

Video (Videó): videórögzítésre szolgál.

Kép rögzítése

Kattintson a megfelelő ikonra az eszköztárban, vagy válassza a **Photo** (Fénykép) lehetőséget a **Capture** (Rögzítés) menüben.

Videó rögzítése

Kattintson a megfelelő ikonra az eszköztárban, vagy válassza a **Video** (Videó) lehetőséget a **Capture** (Rögzítés) menüben.

Sequence capture (Sorozatfelvétel)

Kattintson a megfelelő ikonra az eszköztárban. Megjelenik egy párbeszédablak, amelyben számos paramétert állíthat be a sorozatfelvételhez. Kattintson a **Photo** (Fénykép) választógombra a képrögzítés kezdési idejének, valamint a képek közötti intervallum és az összes képszám beállításához. Kattintson a **Video** (Videó) választógombra a videórögzítés kezdési idejének, valamint a videók közötti intervallum és az összes klipszám beállításához.

Kalibrálás

A mikroszkóp kalibrálása előtt kapcsolja be a rácsot. Ehhez válassza az **On** (Be) elemet az **Options > Crossing** (Beállítások > Keresztezés) menüben. Alapértelmezett beállításnál a rács látható. Helyezze a kalibrációs skálát a tárgyasztalra, és állítsa be a nézetfókuszot. Győződjön meg arról, hogy a rács párhuzamos a skálabeosztással, majd készítse el a képfelvételt. A kép külön ablakban történő megnyitásához kattintson kétszer a kép miniatűrjére.

Kattintson a megfelelő ikonra az eszköztárban a kalibrálás megkezdéséhez. Az egérrel válasszon ki két pontot a képen (tudnia kell a tényleges távolságot e két pont között). Miután kiválasztotta a második pontot, megnyílik egy párbeszédablak, ahol meg kell adnia az ismert távolságot az **Actual dimension** (Tényleges dimenzió) mezőben. Az alkalmazás automatikusan kiszámolja a kép nagyítását. A párbeszédablak bezárásához kattintson az **OK** gombra. A kiszámított nagyítás megjelenik a **Magnification** (Nagyítás) mezőben.

Megjegyzés: a kiválasztott pontoknak vízszintes vonalat kell alkotniuk.

A kalibrálás eredményeit úgy ellenőrizheti, hogy az **Any Angle Line** (Bármilyen ferde vonal) eszközzel leméri ugyanazt a távolságot. Kattintson a mérések ikonra, válassza ki az **Any Angle Line** (Bármilyen ferde vonal) eszközt, majd húzzon egy hasonló vonalat a képen. Ha a mért távolság megegyezik a tényleges távolsággal, a kalibrálás sikeres volt.

Újra kalibrálás

A kalibrálási folyamatot meg kell ismételni, ha a nagyítás vagy a fókuszt a megfigyelések során megváltozott. Kattintson a megfelelő ikonra az eszköztárban, majd válassza a **Reset picture magnification** (Képnagyítás visszaállítása) opciót a **Reset magnification** (Nagyítás visszaállítása) menüpontból. Ismételje meg a kalibrálási folyamatot a fent leírtak szerint. Módosítsa a nagyítást, majd készítsen néhány képfelvételt. Kattintson duplán az egyik miniatűrképre az elkészült kép előnézeti ablakban történő megnyitásához. Kattintson a kalibrálás ikonra az eszköztárban, majd válassza a **Set picture magnification** (Képnagyítás beállítás) opciót a **Set magnification** (Nagyítás beállítás) menüpontból. Adja meg az aktuális nagyítást a párbeszédablakban, majd kattintson az **OK** gombra. Ha a jövőben ugyanazt a nagyítást kívánja használni képfelvételek készítésénél, kattintson a kalibrálás ikonra az eszköztárban, majd válassza a **Set capture magnification** (Rögzítési nagyítás beállítás) opciót a **Set magnification** (Nagyítás beállítás) menüpontból.

Mérések

A mérések elvégzése előtt ajánlott a rendszert kalibrálni.

Any Angle Line (Bármilyen ferde vonal). Nyomja le hosszan a bal egérgombot a vonalrajzolás megkezdéséhez. A vonalrajzolás befejezéséhez engedje el a bal egérgombot.

Continuous Line (Szabadkézi vonal). Ezzel az eszközzel egy görbét rajzolhat a képre és megmérheti a görbe hosszát.

Radius Circle (Sugár). Rajzoljon egy egyenes vonalat a képre. Az alkalmazás automatikusan kiszámítja a megfelelő kör sugarát, kerületét és területét.

Diameter Circle (Átmérő). Rajzoljon egy egyenes vonalat a képre. Az alkalmazás automatikusan kiszámítja a megfelelő kör átmérőjét, kerületét és területét.

Three Points Angle (Hárompontos szög). Helyezzen el három pontot a képen az egerével. Az alkalmazás automatikusan kiszámolja a szögértéket.

Rajz és szöveg

A PortableCapture Pro alkalmazással rajzokat és szövegdobozokat adhat a képeihez. Nyisson meg egy képet egy előnézeti ablakban, majd kattintson a **Pencil** (Ceruza) ikonra az eszköztárban. Válassza ki az egyik eszközt a legördülő menüből, és rajzoljon valamit a képre. Az eszköztárban található **TT** ikonra kattintva módosíthatja a szövegdobozokban használt betű típusát és színét.

Alkalmazáshasználat a Mac operációs rendszerek felhasználói számára

A telepítő CD-n keresse meg a **mac** mappát és másolja a **PortableCapture Pro** fájlt az asztalra. USB-kábel segítségével csatlakoztassa a mikroszkópot a számítógépéhez. Futtassa a PortableCapture Pro alkalmazást: kattintson kétszer az ikonjára.

A megfigyelt minta nagyított képe az alkalmazás fő ablakában látható. Az **Options** (Beállítások) menüben válassza ki a **Preview Size** (Előnézeti méret) lehetőséget a képfelbontás beállításához. Ne feledje, hogy az előnézeti ablak mérete nem változtatható a szabványos felbontás 640x480). A kép felbontása az előnézeti ablak bal alsó sarkában jelenik meg.

Az **Options** (Beállítások) menüben válassza a **Date/Time** (Dátum/Idő) lehetőséget a dátum és idő megjelenítéséhez vagy elrejtéséhez a rögzített képe előnézetének megtekintése során.

Kép rögzítéséhez kattintson a megfelelő ikonra az eszköztárban vagy válassza a **Photo** (Fénykép) lehetőséget a **Capture** (Rögzítés) menüben. Megjelenik a kép miniatűr változata a fő ablak jobb oldalán. Videó rögzítésének megkezdéséhez kattintson a megfelelő ikonra az eszköztárban vagy válassza a **Video** (Videó) lehetőséget a **Capture** (Rögzítés) menüben. Megjelenik a videó miniatűr változata a fő ablak jobb oldalán.

Megjegyzés: a felvétel során az eszköztár videokamera ikonja piros színű lesz. Kattintson újra az ikonra a felvétel befejezéséhez.

A képek és videók miniatűrjei az alkalmazás fő ablakának jobb oldalán jelennek meg. A megnyitáshoz kattintson kétszer a kép miniatűrjére, így az egy külön előnézeti ablakban fog megnyílni. A PortableCapture Pro alkalmazással történő képszerkesztés hasonló a Mac operációs rendszer más alkalmazásainak használatához.

Ápolás és karbantartás

Ennek az eszköznek a használatával soha, semmilyen körülmények között ne nézzen közvetlenül a Napba, vagy egyéb, nagyon erős fényforrásba vagy lézersugárba, mert ez **MARADANDÓ KÁROSODÁST OKOZ A RETINÁJÁBAN ÉS MEG IS VAKULHAT**. Legyen kellően óvatos, ha gyermekekkel vagy olyan személyekkel együtt használja az eszközt, akik nem olvasták vagy nem teljesen értették meg az előbbieken felsorolt utasításokat. A mikroszkóp kicsomagolása után, de még annak legelső használata előtt ellenőrizze az alkatrészek és csatlakozások sérülésmentes állapotát és tartósságát. Bármilyen esetben is az ok, semmiképpen ne kísérelje meg szétszerelni az eszközt. Ha javításra vagy tisztításra szorul az eszköz, akkor keresse fel az erre a célra specializálódott helyi szolgáltatóközpontot. Óvja az eszközt a hirtelen behatásoktól és a hosszabb ideig tartó mechanikai erőktől. Ne használjon túlzott erőt a fókuszt beállításánál. Ne húzza túl a szorítócsavarokat. Az optikai elemek felületéhez soha ne érjen az ujjával. Az eszköz külső megtisztításához használja a Levenhuk által erre a célra gyártott tisztítókendőt és optikai tisztító eszközöket. Az optikai elemek tisztításához ne használjon maró hatású vagy aceton-alapú folyadékokat. A koptató hatású részecskéket, például a homokot ne törlessel, hanem fűjással vagy puha ecsettel távolítsa el a lencséről. Ne használja az eszközt hosszú időtartamon keresztül a tűző napon, vagy ne hagyja ott felügyelet nélkül. Tartsa az eszközt víztől és magas páratartalomtól védett helyen. Legyen körültekintő a megfigyelések során, mindig helyezze vissza a porvédőt a megfigyelés befejeztével, így megóvhatja eszközeit a portól és a szennyeződésektől. Ha a mikroszkóp hosszabb ideig használaton kívül van, akkor a mikroszkóptól elkülönítetten tárolja az objektívlencséseket és a szemlencséseket. Száraz, hűvös helyen tárolja az eszközt, veszélyes savaktól és egyéb kémiai anyagoktól elkülönítetten, hősugárzótól, nyílt lángtól és egyéb, magas hőmérsékletet leadni képes forrásoktól távol. Lehetőség szerint ne használja a mikroszkópot gyúlékony anyagok közelében (benzol, papír, kartonlap, műanyag, stb.), mivel a megfigyelés során a mikroszkóp talpazata felmelegedhet és így tűzveszélyessé válhat. A talpazat kinyitása vagy a megvilágítást biztosító izzó cserélése előtt minden esetben áramtalanítsa a mikroszkópot. Csere előtt az izzó típusától függetlenül (halogén vagy hagyományos) minden esetben várja meg, amíg az izzó lehűl, és mindig ugyanolyan típusú izzót használjon. A tápellátást mindig a megfelelő hálózati feszültségi szint mellett használja, azaz kövesse az újonnan vásárolt mikroszkópjának műszaki leírását. Az eszköznek a leírástól eltérő típusú aljzathoz történő csatlakoztatása tönkretelheti a mikroszkóp áramkörét, kiégthet az izzó vagy akár rövidzárlatot is okozhat ezzel. Azonnal forduljon orvoshoz, amennyiben bárki lenyelt egy kis alkatrészt vagy elemet.

Az elemekkel kapcsolatos biztonsági intézkedések

Mindig a felhasználásnak legmegfelelőbb méretű és fokozatú elemet vásárolja meg. Elemcsere során mindig az összes elemet egyszerre cserélje ki; ne keverje a régi elemeket a frisssekkel, valamint a különböző típusú elemeket se keverje egymással össze. Az elemek behelyezése előtt tisztítsa meg az elemek és az eszköz egymással érintkező részeit. Győződjön meg róla, hogy az elemek a pólusokat tekintve is helyesen kerülnek az eszközbe (+ és -). Amennyiben az eszközt hosszabb ideig nem használja, akkor távolítsa el az elemeket. A lemerült elemeket azonnal távolítsa el. Soha ne zárja rövidre az elemeket, mivel így azok erősen felmelegedhetnek, szivárogni kezhetnek vagy felrobbanhatnak.

Az elemek élettartamának megnöveléséhez soha ne kísérelje meg felmelegíteni azokat. Ne bontsa meg az akkumulátorokat. Használat után ne felejtse el kikapcsolni az eszközt. Az elemeket tartsa gyermekektől távol, megelőzve ezzel a lenyelés, fulladás és mérgezés veszélyét. A használt elemeket az Ön országában érvényben lévő jogszabályoknak megfelelően adhatja le.

Műszaki adatok

Képerzékelő	5 Mpx (max. 12 Mpx interpoláció révén)
Nagyítás	20–200–500x
Elérhető képfelbontások	12 Mpx, 8 Mpx, 5 Mpx, 3 Mpx, 1,3 Mpx, VGA
Fénykép-/videóformátum	*.jpeg/*.avi
Memóriakártya	microSD, max. 32 GB méret (külön megvásárolható)
Objektívlencse	kiváló minőségű lencse
Képernyő	3,5"-os TFT-kijelző, 4:3 képarány
Világítás	változó fényerejű 8 LED égős rendszer
Tápellátás	Li-ion akkumulátor (3,7 V / 1050 mAh) üzemidő: 2 óra, töltési idő: 2 óra
Képkocka-sebesség	30 fps
Tápkábel	100–240 V, 50/60 Hz; 5 V, 1 A kimenet
Operációs rendszer nyelve	angol, német, francia, spanyol, olasz, portugál, japán, kínai
Szoftvernyelvek	angol, német, francia, spanyol, orosz, olasz, portugál, lengyel, holland, japán, koreai, kínai
Méret (Ma x Szé x Mé)	227 x 104 x 149 mm
Tömeg	760 g (akkumulátorral együtt)

A gyártó fenntartja magának a jogot a termékkinálat és a műszaki paraméterek előzetes értesítés nélkül történő módosítására.

Rendszerkövetelmények

Operációs rendszer: Windows 7/8/10, Mac 10.6—10.15
CPU: legalább P4 1,8 GHz, RAM: 512 MB, interfész: USB 2.0

A Levenhuk nemzetközi, élettartamra szóló szavatossága

A Levenhuk vállalat a kiegészítők kivételével az összes Levenhuk gyártmányú teleszkóphoz, mikroszkóphoz, kétszemes távcsőhöz és egyéb optikai termékhez **élettartamra** szóló szavatosságot nyújt az anyaghibák és/vagy a gyártási hibák vonatkozásában. Az élettartamra szóló szavatosság a termék piaci forgalmazási időszakának a végéig érvényes. A Levenhuk-kiegészítőkhöz a Levenhuk-vállalat a kiskereskedelmi vásárlás napjától számított **két évig** érvényes szavatosságot nyújt az anyaghibák és/vagy a gyártási hibák vonatkozásában. A Levenhuk vállalat vállalja, hogy a Levenhuk vállalat általi megvizsgálás során anyaghibásnak és/vagy gyártási hibásnak talált terméket vagy termékalkatrészt megjavítja vagy kicseréli. A Levenhuk vállalat csak abban az esetben köteles

megjavítani vagy kicserélni az ilyen terméket vagy termékalkatrészt, ha azt a Levenhuk vállalat számára elfogadható vásárlási bizonylattal együtt visszaküldi a Levenhuk vállalat felé.

További részletekért látogasson el weboldalunkra:

www.levenhuk.hu/garancia

Amennyiben garanciális probléma lépne fel vagy további segítségre van szüksége a termék használatát illetően, akkor vegye fel a kapcsolatot a helyi Levenhuk üzlettel.

Levenhuk DTX 500 LCD

Microscopio digitale

IT

Parti del microscopio

- 1 Schermo LDC
- 2 Slot per microSD
- 3 Manopola di messa a fuoco fine
- 4 Tubo ottico del microscopio
- 5 Tavolino
- 6 Manopola di messa a fuoco grossolana
- 7 Manopola di blocco della messa a fuoco
- 8 Pulsante di scatto

- 9 Regolazione della luminosità
- 10 Rotella di regolazione dell'ingrandimento
- 11 Ingresso cavo di alimentazione
- 12 Ingresso connettore RCA
- 13 Ingresso connettore UBS
- 14 Scomparto batterie
- 15 Indicatore di stato della batteria
- 16 Tasti operativi

Il kit comprende: microscopio, batteria ricaricabile, cavo di alimentazione, cavo USB, cavo RCA, CD di installazione Levenhuk DTX, panno per la pulizia, manuale di istruzioni, vetrino con scala di calibrazione.

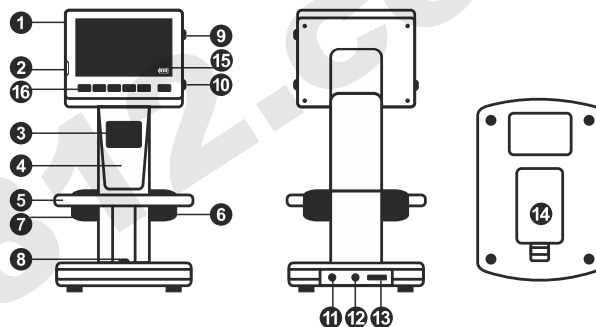
Assemblaggio del microscopio

Aprire lo scomparto delle batterie sotto la base dello stativo. Inserire la batteria nello scomparto secondo la polarità indicata. La batteria deve essere completamente carica al momento della prima accensione del microscopio. Inserire il cavo dell'alimentazione nell'apposita presa d'ingresso sul corpo del microscopio (11) e connetterlo alla rete elettrica. Si accenderà la luce rossa dell'indicatore di stato della batteria (15). Quando la batteria sarà completamente carica, l'indicatore si spegnerà. Ora è possibile scollegare il microscopio dalla rete elettrica e accenderlo. La batteria a piena carica consente l'uso del microscopio per due ore. Un affievolimento della luminosità e un peggioramento della qualità dell'immagine sono sintomi di una batteria scarica. Ricaricare la batteria come appena descritto.

Per salvare le immagini catturate e i video registrati è necessaria una scheda microSD (da acquistare separatamente). Spegnerlo lo strumento e inserire la scheda microSD nel corrispondente slot sul corpo del microscopio, fino a bloccarla in posizione con un clic. Non esercitare una forza eccessiva quando si inserisce la scheda microSD. Provare a ruotare la scheda nel caso in cui non si blocchi facilmente in posizione. È necessario formattare la scheda prima di utilizzarla.

Per accendere il microscopio, premere il pulsante di alimentazione (16). Per spegnere il microscopio, premere nuovamente il pulsante di alimentazione (16) (consultare il paragrafo Risparmio energetico per maggiori informazioni).

Non utilizzare in nessun caso questo apparecchio per guardare direttamente il sole, un'altra sorgente di luce ad alta luminosità o un laser, perché ciò potrebbe provocare DANNI PERMANENTI ALLA RETINA e portare a CECITÀ.



Icona della modalità Cattura dell'immagine



Icona della modalità Sequenza di scatti

00013/01618

Contatore immagini catturate/Numero di immagini che possono essere catturate (alla risoluzione corrente)



Icona stato microSD

5.0M

Risoluzione corrente



Indicatore di stato della batteria

Nota: le icone dell'interfaccia possono essere nascoste premendo la rotella di regolazione dell'ingrandimento (10).

Uso del microscopio

Catturare un'immagine

Accendere il microscopio posizionare un campione preparato sul tavolino. Regolare la luminosità, in modo che il campione sia illuminato uniformemente. Cambiare l'ingrandimento e mettere a fuoco l'immagine, se necessario, quindi fissare il risultato con la manopola di blocco della messa a fuoco (7). Premere il pulsante di scatto (8).

Registrare un video

Premere il tasto ◀ (16) per passare in modalità video. L'icona nell'angolo superiore sinistro dello schermo cambierà di conseguenza. Premere il pulsante di scatto (8) per iniziare la registrazione, premerlo di nuovo per interromperla.

Riprodurre i video registrati

Premere il tasto ◀ (16) per passare in modalità riproduzione. L'icona nell'angolo superiore sinistro dello schermo cambierà di conseguenza. Selezionare il video desiderato con i pulsanti di scorrimento (16) e premere **OK** per riprodurlo.

Eliminazione dei file

Scorrendo tra i file salvati, premere il tasto **Chiave inglese** (16), selezionare **Delete...** (Elimina...) e premere **OK** per confermare la selezione (è possibile eliminare tutto o solamente i file selezionati dal menù mostrato).

Proteggere i file

Scorrendo tra i file salvati, premere il tasto **Chiave inglese** (16), selezionare **Protect** (Proteggi) e premere **OK** per confermare la selezione (è possibile proteggere tutto o solamente i file selezionati dal menù mostrato).

Presentazione immagini

Scorrendo tra i file salvati, premere il tasto **Chiave inglese** (16), selezionare **Slide Show** (Presentazione immagini) e premere **OK** per confermare la selezione.

Modalità di colore dell'interfaccia

Scorrendo tra i file salvati, premere il tasto ▲ per passare da una modalità di colore all'altra tra quelle esistenti per l'interfaccia.

Ingrandimento

Usare la rotella di regolazione dell'ingrandimento (10) per fare zoom avanti o indietro.

Nota: il range di ingrandimento del Discovery Artisan 128 varia tra 1x e 4x.

Trasferimento dei file a un computer

Connettere il microscopio al proprio computer con un cavo USB e, quando appare la finestra di AutoPlay, scegliere di considerare il microscopio come dispositivo di archiviazione esterno.

Menù principale

Premere il tasto **Chiave inglese** (16) per aprire il menù principale. Da questo menù è possibile impostare la risoluzione dell'immagine, regolarne la qualità e la nitidezza, nonché impostare i parametri per la sequenza di scatti.

Risoluzione

Selezionare **Resolution** (Risoluzione) nel menù principale e scegliere la risoluzione dell'immagine desiderata. Premere **OK** per confermare la selezione.

Nota: questo modello supporta le seguenti risoluzioni: VGA / 1,3M / 3M / 5M / 8M / 12M.

Sequenza di scatti

Selezionare **Timer** dal menù principale e impostare il numero totale di immagini da catturare nella finestra di dialogo **Frames** (Fotogrammi). Confermare il dato inserito premendo **OK**. Apparirà una nuova finestra di dialogo in cui sarà possibile impostare l'intervallo tra gli scatti usando i tasti ▲ e ▼. Premere **OK** per confermare e ◀ per ritornare alla modalità di cattura.

Premere il pulsante di scatto per iniziare a catturare le immagini.

L'icona nell'angolo superiore sinistro cambierà di conseguenza. Quando il numero di scatti impostato è stato catturato, lo schermo tornerà alla modalità di cattura standard. Premere il pulsante di scatto in qualsiasi momento per interrompere la cattura della sequenza di scatti.

Qualità

Selezionare **Quality** (Qualità) dal menù principale e scegliere una delle impostazioni proposte. In questo modo è possibile modificare il rapporto di compressione delle immagini catturate.

Nitidezza

Selezionare **Sharpness** (Nitidezza) dal menù principale e scegliere una delle impostazioni proposte.

Lingua

Selezionare **Language** (Lingua) dal menù principale e scegliere una delle impostazioni proposte. Premere **OK** per confermare la selezione.

Risparmio energetico

Selezionare **Power Save** (Risparmio energetico) dal menù principale e impostare il tempo di inattività prima che il microscopio si spenga automaticamente.

Frequenza di aggiornamento del display

Selezionare **Frequency** (Frequenza di aggiornamento) dal menù principale e scegliere una delle impostazioni proposte. Premere **OK** per confermare la selezione.

Visualizzazione data e ora

Selezionare **Date Stamp** (Timbro data e ora) dal menù principale e scegliere una delle impostazioni proposte. È possibile scegliere di visualizzare solo la data o sia la data che l'ora. Premere **OK** per confermare la selezione.

Connessione TV

Selezionare **TV Out** (Uscita TV) dal menù principale e scegliere una delle impostazioni proposte. Premere **OK** per confermare la selezione.

Data e ora

Selezionare **Date/Time** (Data/Ora) dal menù principale e quindi impostare data e ora correnti. Premere **OK** per confermare i valori inseriti. È inoltre possibile scegliere uno dei seguenti formati per la data: AA/MM/GG, GG/MM/AA o MM/GG/AA.

Formatta scheda SD

Selezionare **Format SD** (Formatta SD) dal menù principale per formattare la scheda di memoria installata.

Reset delle impostazioni

Selezionare **Sys. Reset** (Reset del sistema) dal menù principale per tornare alle impostazioni di fabbrica.

Versione hardware

Selezionare **Versión** (Versione) dal menù principale per controllare l'attuale versione dell'hardware.

Connettere il microscopio alla TV

Inserire il cavo con connettore RCA nel microscopio e collegarlo alla TV (fare riferimento alla guida del proprio televisore per ulteriori informazioni). Accendere la TV e selezionare il canale corretto dal menù del televisore (fare riferimento alla guida del proprio televisore per ulteriori informazioni).

Software PortableCapture Pro

Inserire il CD di installazione nel lettore CD. Verrà mostrata la finestra del menù principale. Selezionare **PortableCapture software** (Software PortableCapture) per installare l'applicazione PortableCapture Pro. Si tenga presente che sarà necessario riavviare il sistema durante l'installazione. Il CD di installazione contiene una copia di questo manuale di istruzioni, che è possibile leggere cliccando sulla voce corrispondente nel menù principale. Connettere il microscopio al PC con il cavo USB ed eseguire l'applicazione PortableCapture Pro. Nel caso in cui il microscopio non fosse connesso al PC, comparirà un messaggio pop-up di avviso.

Nota: i tasti operativi sono disabilitati quando il microscopio è connesso a un computer come fotocamera esterna. Il microscopio viene comandato tramite l'applicazione PortableCapture Pro. Tutte le immagini e i video saranno salvati sul disco rigido del computer.



Cattura un'immagine



Inizia e interrompi registrazione video



Sequenza di scatti (è possibile impostare l'ora di inizio della cattura di immagini o video, l'intervallo tra gli scatti, la durata dei video e il numero di immagini o video da catturare)



Modalità schermo intero. Per uscire dalla modalità schermo intero, premere Escape (Esc) sulla tastiera o fare doppio clic in un punto qualsiasi dello schermo



Salva come



Disegna



Copia negli appunti



Testo



Copia file



Misura



Immagine precedente



Calibrazione



Immagine successiva



Annulla l'ultima azione



Ripeti l'ultima azione

File

Photos Directory (Directory Foto): imposta una directory per le immagini catturate.

Videos Directory (Directory Video): imposta una directory per i video registrati.

Opzioni

Resolution (Risoluzione): imposta la risoluzione delle immagini.

Date/Time (Data/Ora): nasconde o mostra data e ora della cattura durante l'anteprima.

Language (Lingua): cambia la lingua dell'interfaccia utente.

Crossing (Griglia): nasconde o mostra una griglia sulle immagini.

Full screen mode (Modalità schermo intero): passa a schermo intero.

Capture (Cattura)

Photo (Foto): cattura un'immagine.

Video (Video): registra un video.

Catturare un'immagine

Fare clic sull'icona corrispondente nella barra degli strumenti o selezionare **Photo** (Foto) dal menù **Capture** (Cattura).

Registrare un video

Fare clic sull'icona corrispondente nella barra degli strumenti o selezionare **Video** (Video) dal menù **Capture** (Cattura).

Sequenza di scatti

Fare clic sull'icona corrispondente nella barra degli strumenti. Apparirà quindi una finestra di dialogo dove sarà possibile impostare i vari parametri per la sequenza di scatti. Fare clic sul pulsante di opzione **Photo** (Foto) per impostare l'ora di inizio della cattura delle immagini, l'intervallo tra gli scatti e il loro numero totale. Fare clic sul pulsante di opzione **Video** per impostare l'ora di inizio della registrazione video, la sua durata, l'intervallo tra le registrazioni e il numero totale di video.

Calibrazione

Prima della calibrazione del microscopio, attivare la griglia sul display. Per farlo, selezionare **On** (Attiva) da **Options > Crossing** (Opzioni > Griglia). La griglia è visibile come impostazione predefinita. Posizionare il vetrino con scala di calibrazione sul tavolino e mettere a fuoco. Assicurarsi che l'asse verticale della griglia sia parallelo alle tacche sulla scala e catturare un'immagine. Fare doppio clic sulla miniatura dell'immagine per aprirla in una finestra separata.

Fare clic sull'icona corrispondente nella barra degli strumenti per iniziare la calibrazione. Usando il mouse, scegliere due punti sull'immagine (è necessario conoscere già la distanza esatta tra i due punti). Dopo aver scelto il secondo punto, si aprirà una finestra di dialogo dove immettere la distanza nota nel campo **Actual dimension** (Dimensioni reali). L'applicazione calcolerà automaticamente l'ingrandimento dell'immagine. Cliccare su **OK** per chiudere la finestra di dialogo. L'ingrandimento calcolato sarà mostrato nel campo **Magnification** (Ingrandimento).

Nota: i punti scelti devono formare una linea orizzontale.

È possibile controllare i risultati della calibrazione misurando la stessa distanza con lo strumento **Any Angle Line** (Linea spezzata qualsiasi). Cliccare sull'icona di misura, scegliere lo strumento **Any Angle Line** (Linea spezzata qualsiasi) e disegnare una linea simile alla precedente sull'immagine. Se la distanza misurata corrisponde alla distanza reale nota, la calibrazione è avvenuta con successo.

Ricalibrazione

Il processo di calibrazione deve essere ripetuto se l'ingrandimento o la messa a fuoco vengono cambiati durante l'osservazione. Fare clic di nuovo sull'icona corrispondente nella barra degli strumenti e selezionare **Reset picture magnification** (Reimposta ingrandimento immagine) da **Reset magnification** (Reimposta ingrandimento). Ripetere il processo di calibrazione descritto sopra. Cambiare l'ingrandimento e catturare qualche immagine. Fare doppio clic su una delle miniature per aprire l'immagine corrispondente in una finestra di anteprima. Fare clic sull'icona di calibrazione nella barra degli strumenti e selezionare **Set picture magnification** (Imposta ingrandimento immagine) da **Set magnification** (Imposta ingrandimento). Inserire l'ingrandimento corrente nella finestra di dialogo apparsa e fare clic su **OK**. Se si desidera utilizzare lo stesso ingrandimento per la cattura di immagini future, fare clic sull'icona della calibrazione nella barra degli strumenti e selezionare **Set capture magnification** (Imposta ingrandimento cattura) da **Set magnification** (Imposta ingrandimento).

Misure

Si consiglia di calibrare il sistema prima di procedere con le misure.

Any Angle Line (Linea spezzata qualsiasi). Tenere premuto il pulsante sinistro del mouse per iniziare a disegnare una linea. Rilasciare il pulsante sinistro per completare la linea.

Continuous Line (Linea continua). Usare questo strumento per disegnare una linea curva sull'immagine e misurarne la lunghezza.

Radius Circle (Raggio del cerchio). Disegnare una linea retta sull'immagine. L'applicazione calcolerà in automatico raggio, circonferenza e area del cerchio corrispondente.

Diameter Circle (Diametro del cerchio). Disegnare una linea retta sull'immagine. L'applicazione calcolerà in automatico diametro, circonferenza e area del cerchio corrispondente.

Three Points Angle (Angolo a tre punti). Posizionare tre punti sull'immagine usando il mouse. L'applicazione calcolerà automaticamente il valore dell'angolo tra essi.

Disegni e testo

PortableCapture Pro consente di aggiungere disegni e caselle di testo alle proprie immagini. Aprire un'immagine nella finestra di anteprima e fare clic sull'icona **Matita** nella barra degli strumenti. Selezionare uno degli strumenti dal menù a discesa e disegnare sull'immagine. Facendo clic sull'icona **TT** sulla barra degli strumenti, è possibile modificare il tipo di carattere e il colore da usare nelle caselle di testo.

Lavorare con l'applicazione per utenti Mac OS

Navigare fino alla cartella mac sul CD di installazione e copiare il file **PortableCapture Pro** sul desktop. Utilizzare un cavo USB per connettere il microscopio al proprio computer. Eseguire l'applicazione PortableCapture Pro facendo doppio clic sulla sua icona.

Sarà possibile vedere l'immagine ingrandita del campione osservato nella finestra principale dell'applicazione. Dal menù **Options** (Opzioni), selezionare **Preview Size** (Dimensione anteprima) per impostare la risoluzione dell'immagine. Si consideri che la finestra di anteprima non può essere ridimensionata (la risoluzione standard è 640x480). La risoluzione dell'immagine è mostrata nell'angolo in basso a sinistra della finestra di anteprima.

Dal menù **Options** (Opzioni), selezionare **Date/Time** (Data/Ora) per mostrare o nascondere la data e l'ora della cattura durante l'anteprima.

Fare clic sull'icona corrispondente nella barra degli strumenti o selezionare **Photo** (Foto) dal menù **Capture** (Cattura) per catturare un'immagine. Sul lato destro della finestra principale apparirà la miniatura dell'immagine. Fare clic sull'icona corrispondente nella barra degli strumenti o selezionare **Video** dal menù **Capture** (Cattura) per avviare la registrazione di un video. Sul lato destro della finestra principale apparirà la miniatura del video.

Nota: durante la registrazione, l'icona della videocamera nella barra degli strumenti diventerà rossa. Fare clic di nuovo sull'icona per interrompere la registrazione.

Le miniature di immagini e video sono mostrate sul lato destro della finestra principale dell'applicazione. Fare doppio clic sulla miniatura di un'immagine per aprirla in una finestra di anteprima separata. La modifica delle immagini con l'applicazione PortableCapture Pro è un procedimento simile alle altre applicazioni di Mac OS.

Cura e manutenzione

Non utilizzare in nessun caso questo apparecchio per guardare direttamente il sole, un'altra sorgente di luce ad alta luminosità o un laser, perché ciò potrebbe provocare DANNI PERMANENTI ALLA RETINA e portare a CECITÀ. Nel caso si utilizzi l'apparecchio in presenza di bambini o altre persone che non siano in grado di leggere o comprendere appieno queste istruzioni, prendere le precauzioni necessarie. Dopo aver disimballato il microscopio e prima di utilizzarlo per la prima volta, verificare l'integrità e lo stato di conservazione di tutte le componenti e le connessioni. Non cercare per nessun motivo di smontare autonomamente l'apparecchio. Per qualsiasi intervento di riparazione e pulizia, contattare il centro di assistenza specializzato di zona. Proteggere l'apparecchio da urti improvvisi ed evitare che sia sottoposto ad eccessiva forza meccanica. Durante la messa a fuoco, non applicare una forza eccessiva. Non stringere eccessivamente le viti di bloccaggio. Non toccare le superfici ottiche con le dita. Per pulire l'esterno dell'apparecchio, utilizzare soltanto le salviette apposite e gli strumenti di pulizia dell'ottica apposti offerti da Levenhuk. Non utilizzare fluidi corrosivi o a base di acetone per pulire l'ottica del dispositivo. Per rimuovere eventuali particelle abrasive, ad esempio sabbia, dalle lenti, non strofinare, ma soffiare oppure utilizzare una spazzola morbida. Non utilizzare il dispositivo per lunghi periodi e non lasciarlo incustodito sotto i raggi diretti del sole. Non esporre il dispositivo all'acqua o a elevata umidità. Prestare attenzione durante le osservazioni e, una volta terminato, rimettere sempre il coperchio protettivo per proteggere l'apparecchio da polvere e macchie. Se non si intende utilizzare il microscopio per periodi prolungati, conservare le lenti obiettivo e gli oculari separatamente dal microscopio. Conservare l'apparecchio in un posto fresco e asciutto, al riparo da acidi pericolosi e altri prodotti chimici, da apparecchi di riscaldamento, da fiamme libere e da altre fonti di calore. Cercare di non utilizzare il microscopio in prossimità di materiali o sostanze infiammabili (benzene, carta, cartone ecc), poiché la base potrebbe riscaldarsi durante l'utilizzo e rappresentare un rischio di incendio. Disconnettere sempre il microscopio dall'alimentazione prima di aprire la base o sostituire la lampadina di illuminazione. Independentemente dal tipo di lampadina (alogeno o a incandescenza), attendere che si sia raffreddata prima di cercare di sostituirla e sostituirla sempre con una lampadina dello stesso tipo. Utilizzare sempre un'alimentazione di tensione adeguata, cioè quella indicata nelle specifiche del microscopio. Collegare lo strumento a una presa di alimentazione differente potrebbe provocare il danneggiamento dei circuiti elettrici del microscopio, bruciare la lampadina o addirittura causare un corto circuito. In caso di ingestione di una parte di piccole dimensioni o di una batteria, richiedere immediatamente assistenza medica.

Istruzioni di sicurezza per le batterie

Acquistare batterie di dimensione e tipo adeguati per l'uso di destinazione. Sostituire sempre tutte le batterie contemporaneamente, evitando accuratamente di mischiare batterie vecchie con batterie nuove oppure batterie di tipo differente. Prima della sostituzione, pulire i contatti della batteria e quelli dell'apparecchio. Assicurarsi che le batterie siano state inserite con la corretta polarità (+ e -). Se non si intende utilizzare l'apparecchio per lungo periodo, rimuovere le batterie. Rimuovere subito le batterie esaurite. Non cortocircuitare le batterie, perché ciò potrebbe provocare forte riscaldamento, perdita di liquido o esplosione. Non tentare di riattivare le batterie riscaldandole. Non disassemblare le batterie. Dopo l'utilizzo, non dimenticare di spegnere l'apparecchio. Per evitare il rischio di ingestione, soffocamento o intossicazione, tenere le batterie fuori dalla portata dei bambini. Disporre delle batterie esaurite secondo le norme vigenti nel proprio paese.

Specifiche

Sensore immagine	5 MP (fino a 12 MP per interpolazione)
Ingrandimento	20–200–500x
Risoluzioni immagine disponibili	12 MP, 8 MP, 5 MP, 3 MP, 1,3 MP, VGA
Formati foto/video	*.jpeg/*.avi
Scheda di memoria	microSD fino a 32 GB (non inclusa)
Lente obiettivo	lente di alta qualità
Display	schermo TFT da 3,5", rapporto 4:3
Illuminazione	sistema a 8 LED con luminosità variabile
Alimentazione	batteria agli ioni di litio (3,7 V/1050 mAh) autonomia operativa: 2 ore; tempo di ricarica: 2 ore
Frequenza fotogrammi	30 fps
Cavo di alimentazione	100–240 V, 50/60 Hz; uscita 5 V, 1 A
Lingue OS	inglese, tedesco, francese, spagnolo, italiano, portoghese, giapponese, cinese
Lingue software	inglese, tedesco, francese, spagnolo, russo, italiano, portoghese, polacco, olandese, giapponese, coreano, cinese
Dimensioni (H x L x P)	227 x 204 x 149 mm
Peso	760 g (batteria compresa)

Il produttore si riserva il diritto di modificare senza preavviso le specifiche tecniche e la gamma dei prodotti.

Requisiti di sistema

Sistema operativo: Windows 7/8/10, Mac 10.6–10.15

CPU: almeno Pentium4 1,8 GHz o superiore, RAM: 512 MB, interfaccia: USB 2.0

Garanzia internazionale Levenhuk

Tutti i telescopi, i microscopi, i binocoli e gli altri prodotti ottici Levenhuk, ad eccezione degli accessori, godono di una **garanzia a vita** per i difetti di fabbricazione o dei materiali. Garanzia a vita rappresenta una garanzia per la vita del prodotto sul mercato. Tutti gli accessori Levenhuk godono di una garanzia di **due anni** a partire dalla data di acquisto per i difetti di fabbricazione e dei materiali. Levenhuk riparerà o sostituirà i prodotti o relative parti che, in seguito a ispezione effettuata da Levenhuk, risultino presentare difetti di fabbricazione o dei materiali. Condizione per l'obbligo di riparazione o sostituzione da parte di Levenhuk di tali prodotti è che il prodotto venga restituito a Levenhuk unitamente ad una prova d'acquisto la cui validità sia riconosciuta da Levenhuk.

Per maggiori dettagli, visitare il nostro sito web: www.levenhuk.eu/warranty

Per qualsiasi problema di garanzia o necessità di assistenza per l'utilizzo del prodotto, contattare la filiale Levenhuk di zona.

Levenhuk DTX 500 LCD

Mikroskop cyfrowy

PL

Elementy mikroskopu

- | | |
|---|---------------------------------------|
| 1 Wyświetlacz LCD | 9 Pokrętło do regulacji jasności |
| 2 Gniazdo na kartę MicroSD | 10 Pokrętło do regulacji powiększenia |
| 3 Precyzyjne pokrętło ustawiania ostrości | 11 Gniazdo na kabel zasilający |
| 4 Tuba optyczna mikroskopu | 12 Gniazdo RCA |
| 5 Stolik | 13 Gniazdo USB |
| 6 Pokrętło regulacji zgrubnej | 14 Komora baterii |
| 7 Pokrętło blokujące ostrość | 15 Wskaźnik stanu baterii |
| 8 Przycisk migawki | 16 Przyciski funkcyjne |

W skład zestawu wchodzi: mikroskop, kabel zasilający, kabel USB, kabel RCA, płyta instalacyjna Levenhuk DTX, ściereczka do czyszczenia, skala kalibracyjna, instrukcja obsługi.

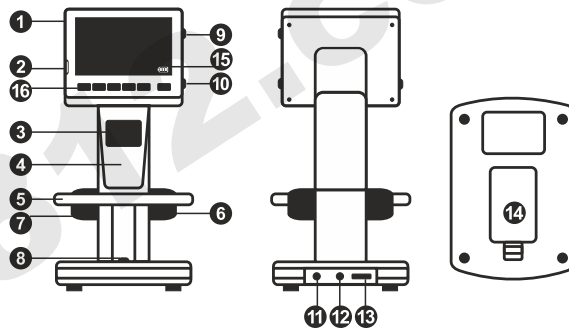
Montaż mikroskopu

Otwórz komorę baterii na spodzie podstawy mikroskopu. Umieść baterię w komorze zgodnie z polaryzacją. Przed pierwszym uruchomieniem mikroskopu należy pamiętać o całkowitym naładowaniu baterii. Podłącz kabel zasilający do gniazda w obudowie mikroskopu (11), a następnie podłącz go do źródła zasilania. Wskaźnik statusu baterii (15) będzie świecił na czerwono. Po pełnym naładowaniu baterii wskaźnik zgaśnie. W tym momencie możesz odczytać mikroskop od źródła zasilania i uruchomić go. W pełni naładowana bateria umożliwi korzystanie z mikroskopu przez dwie godziny. W miarę spadku naładowania baterii podświetlenie słabnie, a jakość obrazu spada. W takim przypadku naładuj baterię w sposób opisany powyżej.

Na (dostępnej osobno) karcie microSD zapisywane są zdjęcia i nagrane filmy. Wyłącz mikroskop i wsuwa kartę microSD to odpowiedniego gniazda w obudowie mikroskopu aż do momentu jej zablokowania (odgłos kliknięcia). Podczas umieszczania karty microSD w gnieździe nie wywieraj na nią nadmiernej siły. Jeżeli umieszczenie karty w gnieździe sprawia trudności, należy ją obrócić. Przed rozpoczęciem użytkowania sformatować kartę.

Uruchamianie mikroskopu: naciśnij przycisk zasilania (16). Wyłączanie mikroskopu: ponownie naciśnij przycisk zasilania (16) (więcej informacji zawiera rozdział Oszczędność energii).

Pod żadnym pozorem nie wolno kierować urządzenia bezpośrednio na słońce, światło laserowe lub inne źródło jasnego światła bez stosowania specjalnego filtra, ponieważ może to spowodować TRWAŁE USZKODZENIE SIATKÓWKI lub doprowadzić do ŚLEPOTY.



Likona trybu przechwytywania obrazu



Likona trybu przechwytywania sekwencji

00013/01618

Licznik przechwyconych obrazów/tączna liczba obrazów, które można przechwyć (na podstawie wybranej rozdzielczości)



Likona statusu karty microSD

5.0M

Bieżąca rozdzielczość obrazu



Wskaźnik stanu baterii

Uwaga: ikony interfejsu można ukryć, naciskając pokrętło do regulacji powiększenia (10).

Użytkowanie mikroskopu

Przechwytywanie obrazu

Włącz mikroskop i umieść próbkę na stoliku. Wyreguluj jasność oświetlenia, aby próbka była równo oświetlona. W razie konieczności zmień powiększenie i ostrość widzenia i zablokuj ustawienie za pomocą pokrętła blokującego ostrości (7). Naciśnij przycisk migawki (8).

Nagrywanie filmu

Naciśnij przycisk ◀ (16), aby przejść do trybu wideo. Ikona w lewym górnym rogu ekranu zmienia się. Naciśnij przycisk migawki (8), aby rozpocząć nagrywanie, i naciśnij go ponownie, aby je zatrzymać.

Odtwarzanie filmów

Naciśnij przycisk ◀ (16), aby przejść do trybu odtwarzania. Ikona w lewym górnym rogu ekranu zmienia się. Za pomocą przycisków przewijania (16) wybrać żądany plik wideo i nacisnąć **OK**, aby go odtworzyć.

Usuwanie plików

Podczas przeglądania zapisanych plików nacisnąć **klucz** (16), wybierz **Delete...** (Usuń) i naciśnij **OK**, aby potwierdzić wybór (można usunąć wszystkie pliki jednocześnie bądź tylko wybrany plik).

Ochrona plików

Podczas przeglądania zapisanych plików naciśnij **klucz** (16), wybierz **Protect** (Zabezpiecz) i naciśnij **OK**, aby potwierdzić wybór (możesz zabezpieczyć wszystkie pliki jednocześnie bądź tylko wybrany plik).

Pokaz slajdów

Podczas przeglądania zapisanych plików naciśnij **klucz** (16), wybierz **Slide Show** (Pokaz slajdów) i naciśnij **OK**, aby potwierdzić wybór.

Tryb zmiany koloru interfejsu

Podczas przeglądania zapisanych plików naciśnij przycisk ▲, aby zmienić kolor interfejsu.

Powiększenie

Obracaj pokrętłem regulacji powiększenia (10), aby zwiększać lub zmniejszać powiększenie.

Uwaga: zakres powiększenia mikroskopu Levenhuk DTX 500 LCD wynosi 1—4x.

Przenoszenie plików na komputer

Podłącz mikroskop do komputera za pomocą kabla USB i, po wyświetleniu okna autoodtwarzania, wskaż na liście mikroskop i wybierz dla niego funkcję zewnętrznego urządzenia magazynującego.

Menu główne

Naciśnij **klucz** (16), aby otworzyć menu główne. Menu to umożliwia ustawianie rozdzielczości obrazu, regulację jego jakości i ostrości oraz wprowadzanie parametrów przechwytywania sekwencji.

Rozdzielczość

Z menu głównego wybierz **Resolution** (Rozdzielczość) i ustaw wymaganą rozdzielczość obrazu. Naciśnij **OK**, aby potwierdzić wybór.

***Uwaga:** w modelu można wprowadzić rozdzielczość o następujących wartościach: VGA/1,3M/3M/5M/8M/12M.*

Przechwytywanie sekwencji

Z menu głównego wybierz **Timer** (Licznik) i wprowadź łączną liczbę obrazów, jaka ma zostać przechwycona w oknie dialogowym **Frames** (Ramki). Potwierdź wybór przyciskiem **OK**. Wyświetlone zostanie nowe okno dialogowe umożliwiające wprowadzenie czasu przerwy pomiędzy obrazami za pomocą przycisków ▲ i ▼. Naciśnij **OK**, aby potwierdzić i ◀, aby powrócić do trybu przechwytywania. Naciśnij przycisk migawki, aby rozpocząć przechwytywanie obrazów. Proces zostanie potwierdzony przez zmianę ikony w lewym górnym rogu ekranu. Po przechwyceniu określonej liczby obrazów ekran powróci do standardowego trybu przechwytywania. Sekwencję można zatrzymać, naciskając w dowolnym momencie przycisk migawki.

Jakość

Z menu głównego wybierz **Quality** (Jakość), a następnie jedno z dostępnych ustawień. Nastąpi zmiana stopnia kompresji przechwyconych obrazów.

Ostrość

Z menu głównego wybierz **Sharpness** (Ostrość), a następnie jedno z dostępnych ustawień.

Język

Z menu głównego wybierz **Language** (Język), a następnie jedno z dostępnych ustawień. Naciśnij **OK**, aby potwierdzić wybór.

Oszczędność energii

Z menu głównego wybierz **Power Save** (Oszczędność energii) i wprowad czas bezczynności, jaki musi upłynąć, aby mikroskop automatycznie się wyłączył.

Częstotliwość wyświetlania

Z menu głównego wybierz **Frequency** (Częstotliwość), a następnie jedno z dostępnych ustawień. Naciśnij **OK**, aby potwierdzić wybór.

Wyświetlanie daty i godziny

Z menu głównego wybierz **Date Stamp** (Datownik), a następnie jedno z dostępnych ustawień. Istnieje możliwość wyświetlania samej daty lub daty i godziny łącznie. Naciśnij **OK**, aby potwierdzić wybór.

Połączenie z telewizorem

Z menu głównego wybierz **TV Out** (Wyjście TV), a następnie jedno z dostępnych ustawień. Naciśnij **OK**, aby potwierdzić wybór.

Data i godzina

Z menu głównego wybierz **Date/Time** (Data/Godzina) i wprowadź aktualną datę i godzinę. Naciśnij **OK**, aby potwierdzić wprowadzone dane. Możesz również wybrać jeden z poniższych formatów daty: YY/MM/DD (RR/MM/DD), DD/MM/YY (DD/MM/RR) lub MM/DD/YY (MM/DD/RR)

Formatowanie karty SD

Z menu głównego wybierz **Format SD** (Formatuj SD), aby sformatować zainstalowaną kartę pamięci.

Resetowanie ustawień

Z menu głównego wybierz **Sys. Reset** (Resetowanie systemu), aby przywrócić ustawienia fabryczne.

Podłączanie mikroskopu do telewizora

Jeden koniec kabla RCA podłącz do mikroskopu, a drugi do telewizora (dodatkowe informacje zawiera instrukcja obsługi telewizora). Włącz telewizor i wybierz z menu telewizora odpowiedni kanał (dodatkowe informacje zawiera instrukcja obsługi telewizora).

Praca z aplikacją PortableCapture Pro

Umieść płytę instalacyjną w napędzie CD. Wyświetlone zostanie okno menu głównego. Wybierz **PortableCapture software** (oprogramowanie PortableCapture Pro), aby zainstalować aplikację PortableCapture Pro. Pamiętaj, że podczas instalacji wymagane będzie zrestartowanie systemu. Płyta instalacyjna zawiera kopię niniejszej instrukcji, z której treścią można zapoznać się, klikając odpowiadającą pozycję w menu głównym.

Podłączanie mikroskopu do komputera

Podłącz mikroskop do komputera za pomocą kabla USB i, po wyświetleniu okna autodetwarzania, wskaż na liście mikroskop i wybierz dla niego funkcję aparatu.

Uwaga: po podłączeniu mikroskopu do komputera w funkcji aparatu przyciski funkcyjne są nieaktywne. Do sterowania mikroskopem służy aplikacja PortableCapture Pro. Wszystkie obrazy i pliki wideo są zapisywane na dysku twardym komputera.



Przechwytywanie obrazu



Rozpoczynanie i zatrzymywanie nagrywania filmu



Przechwytywanie sekwencji (możliwość wprowadzenia czasu rozpoczęcia przechwytywania obrazów lub wideo, czasu trwania nagrania oraz liczby obrazów lub filmów do przechwycenia)



Tryb pełnoekranowy. Aby opuścić tryb pełnoekranowy, naciśnij przycisk **Esc** na klawiaturze lub dwukrotnie kliknij dowolne miejsce na ekranie



Zapisz



Rysowanie



Kopiuj do schowka



Notatka



Kopiuj plik



Pomiary



Poprzedni



Kalibracja



Następny



Cofnij



Ponów

File (Plik)

Photos Directory (Katalog zdjęć): wybór katalogu, w którym zapisywane będą przechwycone obrazy.

Videos Directory (Katalog wideo): wybór katalogu, w którym zapisywane będą nagrania.

Options (Opcje)

Resolution (Rozdzielczość): ustawianie rozdzielczości obrazu.

Date/Time (Data/Czas): ukrywanie lub wyświetlanie daty i godziny podczas przechwytywania.

Language (Język): zmiana języka interfejsu użytkownika.

Crossing (Siatka): ukryj lub pokaż siatkę na obrazach.

Full screen mode (Tryb pełnoekranowy): przejście w tryb pełnoekranowy.

Capture (Przechwyć)

Photo (Zdjęcie): przechwyconie obrazu.

Video (Wideo): nagranie filmu.

Przechwytywanie obrazu

Kliknij odpowiednią ikonę na pasku zadań lub wybierz **Photo** (Zdjęcie) z menu **Capture** (Przechwyć).

Nagrywanie filmu

Kliknij odpowiednią ikonę na pasku zadań lub wybierz **Video** (Wideo) z menu **Capture** (Przechwyć).

Przechwytywanie sekwencji

Kliknij odpowiednią ikonę na pasku zadań. Wyświetlone zostanie okno dialogowe umożliwiające wprowadzenie liczby parametrów przechwytywania sekwencji. Kliknij przycisk opcji **Photo** (Zdjęcie), aby wprowadzić czas rozpoczęcia przechwytywania obrazów, przerwy między przechwyconymi oraz łączną liczbę obrazów. Kliknij przycisk opcji **Video** (Wideo), aby wprowadzić czas rozpoczęcia nagrywania, czas trwania nagrań, przerwy pomiędzy filmami oraz łączną liczbę filmów.

Kalibracja

Przed skalowaniem mikroskopu włącz podziatkę. Aby to zrobić, wybierz opcję **On** (Wł.) w menu **Options > Crossing** (Opcje > Siatka). Domyślnie podziatka jest widoczna. Umieść skalę kalibracyjną na stoliku i wyostrz obraz. Upewnij się, że pionowa oś podziatki jest równoległa względem linii na skali i przechwyć obraz. Dwukrotnie kliknij miniaturę obrazu, aby otworzyć ją w osobnym oknie. Kliknij odpowiednią ikonę na pasku zadań, aby rozpocząć kalibrację. Za pomocą myszy zaznacz dwa punkty na obrazie (konieczna jest znajomość rzeczywistej odległości pomiędzy punktami). Po zaznaczeniu drugiego punktu wyświetlone zostanie okno dialogowe, w którym należy wprowadzić znaną odległość w polu **Actual dimension** (Wymiar rzeczywisty). Aplikacja automatycznie wyznaczy stopień powiększenia obrazu. Kliknij **OK**, aby zamknąć okno dialogowe. Wyznaczone powiększenie zostanie wyświetlone w polu **Magnification** (Powiększenie).

Uwaga: zaznaczone punkty powinny tworzyć linię poziomą.

Wyniki kalibracji można sprawdzić, mierząc tę samą szerokość za pomocą narzędzia **Any Angle Line** (Linia o dowolnym kącie). Kliknij ikonę pomiarów, wybrać **Any Angle Line** (Linia o dowolnym kącie) i narysuj podobną linię na obrazie. Jeżeli zmierzona odległość jest taka sama jak odległość rzeczywista, oznacza to, że kalibracja powiodła się.

Ponowna kalibracja

Kalibrację należy powtórzyć, jeżeli powiększenie lub ostrość zostały zmienione podczas obserwacji. Ponownie kliknij odpowiednią ikonę na pasku zadań i wybierz **Reset picture magnification** (Resetuj powiększenie obrazu) w poleceniu **Reset magnification** (Resetuj powiększenie). Powtórz proces kalibracji w sposób opisany powyżej. Zmień powiększenie i przechwyć kilka obrazów. Dwukrotnie kliknij jedną z miniatur, aby otworzyć obraz w oknie podglądu. Kliknij ikonę kalibracji na pasku narzędzi i wybierz **Set picture magnification** (Ustaw powiększenie obrazu) w poleceniu **Set magnification** (Ustaw powiększenie). W wyświetlonym oknie dialogowym wprowadź aktualną wartość powiększenia i kliknij **OK**. Jeżeli podczas przechwytywania obrazów w przyszłości powiększenie ma zostać zachowane, kliknij ikonę kalibracji na pasku narzędzi i wybierz **Set capture magnification** (Ustaw powiększenie przechwytywania) w poleceniu **Set magnification** (Ustaw powiększenie).

Pomiary

Przed wykonaniem pomiarów zaleca się skalibrowanie systemu.

Any Angle Line (Linia o dowolnym kącie). Naciśnij i przytrzymaj lewy przycisk myszy, aby rozpocząć rysowanie linii. Zwolnij lewy przycisk myszy, aby zakończyć rysowanie linii.

Continuous Line (Linia ciągła). Narzędzie służy do rysowania i pomiaru długości krzywych na obrazie.

Radius Circle (Promień okręgu). Po narysowaniu prostej linii na ekranie aplikacja automatycznie wyznacza promień okręgu oraz obwód i pole odpowiadającego koła.

Diameter Circle (Średnica okręgu). Po narysowaniu prostej linii na ekranie aplikacja automatycznie wyznacza średnicę okręgu oraz obwód i pole odpowiadającego koła.

Three Points Angle (Kąt na podstawie trzech punktów). Za pomocą myszy zaznacz na ekranie trzy punkty. Aplikacja automatycznie wyznaczy wielkość kąta.

Rysowanie i wprowadzanie notatek tekstowych

PortableCapture Pro umożliwia dodawanie do obrazów rysunków i pól tekstowych. Otwórz obraz w oknie podglądu i kliknij ikonę **otówka** na pasku zadań. Z rozwijanego menu wybierz jedno z narzędzi i wykonaj rysunek na obrazie. Kliknięcie ikony **TT** na pasku narzędzi umożliwia edytowanie typu i koloru czcionki tekstu wpisywanego w polach tekstowych.

Praca z aplikacją przez użytkowników systemu Mac OS

Odszukaj folder **mac** na płycie instalacyjnej i skopiuj plik **PortableCapture Pro** na pulpit. Podłącz mikroskop do komputera za pomocą kabla USB. Uruchoom aplikację PortableCapture Pro, klikając dwukrotnie jej ikonę.

W menu **Options** (Opcje) wybierz **Preview Size** (Rozmiar podglądu), aby ustawić rozdzielczość obrazu. Pamiętaj, że nie można zmienić rozmiaru okna podglądu (standardowa rozdzielczość to 640x480). Rozdzielczość obrazu podawana jest w lewym dolnym rogu okna podglądu.

W menu **Options** (Opcje) wybierz **Date/Time** (Data/Godzina), aby wyświetlić lub ukryć datę i godzinę przechwytywania podczas podglądu.

Aby przechwycić obraz, kliknij odpowiednią ikonę na pasku zadań lub wybierz **Photo** (Zdjęcie) z menu **Capture** (Przechwytywanie). Po prawej stronie głównego okna wyświetlona zostanie miniatura obrazu. Aby rozpocząć nagrywanie filmu, kliknij odpowiednią ikonę na pasku zadań lub wybierz **Video** (Film) z menu **Capture** (Przechwytywanie).

Uwaga: podczas nagrywania kolor ikony kamery na pasku narzędzi zmieni się na czerwony. Kliknij ikonę ponownie, aby zatrzymać nagrywanie.

Miniaturowe obrazy i filmów wyświetlane są po prawej stronie głównego okna aplikacji. Dwukrotnie kliknij miniaturę obrazu, aby otworzyć ją w osobnym oknie podglądu. Edycja obrazów w aplikacji PortableCapture Pro przebiega w sposób podobny do obsługi innych aplikacji w systemie Mac OS.

Konserwacja i pielęgnacja

Pod żadnym pozorem nie wolno kierować przyrządu bezpośrednio na słońce, światło laserowe lub inne źródło jasnego światła, ponieważ może to spowodować TRWAŁE USZKODZENIE SIATKÓWKI lub doprowadzić do ŚLEPOTY. Zachowaj szczególną ostrożność, gdy urządzenia używają dzieci lub osoby, które nie w pełni zapoznają się z instrukcjami. Po rozpakowaniu mikroskopu i przed jego pierwszym użyciem należy sprawdzić stan i prawidłowość podłączenia każdego elementu. Nie podejmuj prób samodzielnego demontażu urządzenia, nawet w celu wyczyszczenia lustra. W celu wszelkich napraw i czyszczenia skontaktuj się z punktem serwisowym. Chroni przyrząd przed upadkami z wysokości i działaniem nadmiernej siły mechanicznej. Nie należy używać nadmiernej siły podczas ustawiania ostrości. Nie należy dokręcać zbyt mocno śrub blokujących. Nie dotykaj powierzchni optycznych palcami. Do czyszczenia zewnętrznych powierzchni przyrządu używaj tylko specjalnych ściereczek i narzędzi do czyszczenia optyki Levenhuk. Nie czyść układu optycznego za pomocą środków żrących lub zawierających aceton. Częsteczki ściierające, takie jak ziarna piasku, powinny być zdmuchiwane z powierzchni soczewek lub usuwane za pomocą miękkiej szczotki. Nie wystawiaj przyrządu na długotrwałe działanie promieni słonecznych. Trzymaj z dala od wody. Nie należy przechowywać w warunkach wysokiej wilgoci. Podczas obserwacji należy zachować ostrożność. Po zakończeniu obserwacji załóż osłonę przeciwpływową w celu zabezpieczenia mikroskopu przed kurzem i zanieczyszczeniami. W przypadku korzystania z mikroskopu przez dłuższy czas soczewki obiektywowe i okulary oraz mikroskop należy przechowywać osobno. Przyrząd powinien być przechowywany w suchym, chłodnym miejscu, z dala od kurzu, niebezpiecznych kwasów oraz innych substancji chemicznych, grzejników, otwartego ognia i innych źródeł wysokiej temperatury. Staraj się nie korzystać z mikroskopu w pobliżu łatwopalnych materiałów lub substancji (benzenu, papieru, kartonu, tworzywa sztucznego itp.), ponieważ nagrzewająca się podczas użytkowania podstawa może powodować ryzyko pożaru. Przed każdym otwarciem podstawy lub wymianą lampy odłączaj mikroskop od źródła zasilania. Przed wymianą lampy, niezależnie od jej rodzaju (halogenowa lub żarowa), zaczekaj, aż jej temperatura spadnie. Lampy wymieniaj zawsze na modele tego samego typu. Pamiętaj, aby moc zasilania była dopasowana do napięcia — jest ono podane w danych technicznych nowego mikroskopu. Podłączenie do gniazda zasilającego o innej mocy może spowodować uszkodzenie zespołu obwodów elektrycznych przyrządu, spalanie lampy, a nawet zwarcie. Używanie mikroskopu przez dzieci może odbywać się tylko pod nadzorem osób dorosłych. W przypadku połamania małej części lub baterii należy natychmiast zwrócić się o pomoc medyczną.

Instrukcje dotyczące bezpiecznego obchodzenia się z bateriami

Należy używać baterii odpowiedniego typu i w odpowiednim rozmiarze. Należy wymieniać wszystkie baterie jednocześnie; nie należy łączyć starych i nowych baterii ani baterii różnych typów. Przed włożeniem baterii należy wyczyścić styki baterii i urządzenia. Podczas wkładania baterii należy zwracać uwagę na ich bieguny (znaki + i -). Jeśli sprzęt nie będzie używany przez dłuższy czas, należy wyjąć baterie. Zużyte baterie należy natychmiast wyjąć. Nie ładować baterii jednorazowych, ponieważ wiąże się to z ryzykiem wycieku, pożaru lub wybuchu. Nie doprowadzać do zwarcia baterii, ponieważ wiąże się to z ryzykiem powstania wysokich temperatur, wycieku lub wybuchu. Nie ogrzewać baterii w celu przedłużenia czasu ich działania. Należy pamiętać o wyłączeniu urządzenia po zakończeniu użytkowania. Baterie przechowywać w miejscu niedostępnym dla dzieci, aby uniknąć ryzyka potknięcia, uduszenia lub zatrucia.

Dane techniczne

Matryca	5 Mpx (12 Mpx interpolowane)
Powiększenie	20–200–500x
Dostępne rozdzielczości obrazu	12 Mpx, 8 Mpx, 5 Mpx, 3 Mpx, 1,3 Mpx, VGA
Zdjęcie/Film	*.jpeg/*.avi
Format karty pamięci	microSD do 32GB (nie wchodzi w skład zestawu)
Soczewka obiektywowa	Wysokiej jakości soczewka
Wyświetlacz	Wyświetlacz TFT 3,5", 4:3
Podświetlenie	System 8 diod LED z regulacją jasności
Źródło zasilania	Akumulator litowo-jonowy (3,7 V/1050 mAh)
	Czas pracy: 2 godziny, czas ładowania: 2 godziny
Klatki na sekundę	30 kl./s
Kabel zasilający	100–240 V, 50/60 Hz; 5 V, 1 A na wyjściu
Język systemu operacyjnego	Angielski, niemiecki, francuski, hiszpański, włoski, portugalski, japoński, chiński
Język oprogramowania	Angielski, niemiecki, francuski, hiszpański, rosyjski, włoski, portugalski, polski, niderlandzki, japoński, koreański, chiński
Wymiary (wys. x szer. x gł.)	227 x 104 x 149 mm
Masa	760 g (z baterią)

Producent zastrzega sobie prawo wprowadzenia zmian w ofercie produktów i specyfikacjach bez uprzedniego powiadomienia.

Wymagania systemowe

System operacyjny: Windows 7/8/10, Mac 10.6~10.15

Procesor: co najmniej P4 1,8 GHz, pamięć RAM: 512 MB, interfejs: USB 2.0

Gwarancja międzynarodowa Levenhuk

Wszystkie teleskopy, mikroskopy, lornetki i inne przyrządy optyczne Levenhuk, za wyjątkiem akcesoriów, posiadają **dożywotnią gwarancję** obejmującą wady materiałowe i wykonawcze. Dożywotnia gwarancja to gwarancja na cały okres użytkowania produktu. Wszystkie akcesoria Levenhuk są wolne od wad materiałowych i wykonawczych i pozostaną takie przez **dwa lata** od daty zakupu detalicznego. Firma Levenhuk naprawi lub wymieni produkty lub ich części, w przypadku których kontrola prowadzona przez Levenhuk wykaze obecność wad materiałowych lub wykonawczych. Warunkiem wywiązania się przez firmę Levenhuk z obowiązku naprawy lub wymiany produktu jest dostarczenie danego produktu firmie razem z dowodem zakupu uznawanym przez Levenhuk.

Więcej informacji na ten temat znajduje się na stronie: www.levenhuk.pl/gwarancja
W przypadku wątpliwości związanych z gwarancją lub korzystaniem z produktu, proszę skontaktować się z lokalnym przedstawicielem Levenhuk.

Levenhuk DTX 500 LCD

Microscópio digital

PT

Peças do microscópio

- | | | | |
|---|------------------------------|----|---------------------------------|
| 1 | Ecrã LCD | 9 | Roda de ajuste do brilho |
| 2 | Ranhura MicroSD | 10 | Roda de ajuste da ampliação |
| 3 | Botão de focagem fina | 11 | Conector do cabo de alimentação |
| 4 | Tubo ótico do microscópio | 12 | Conector RCA |
| 5 | Lâmina | 13 | Conector USB |
| 6 | Botão de focagem aproximada | 14 | Compartimento da bateria |
| 7 | Botão de bloqueio da focagem | 15 | Indicador do estado da bateria |
| 8 | Botão do obturador | 16 | Teclas de função |

O kit inclui: microscópio, bateria recarregável, cabo de alimentação, cabo USB, cabo RCA, CD de instalação do Levenhuk DTX, pano de limpeza, manual do utilizador, escala de calibração.

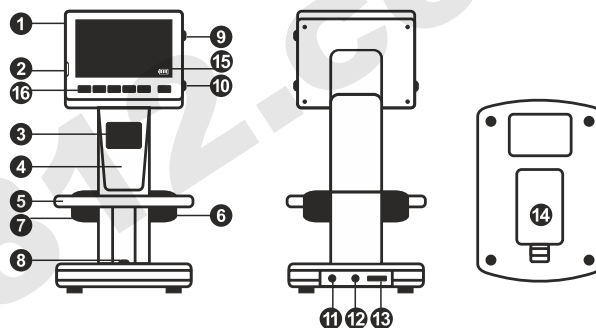
Montagem do microscópio

Abra o compartimento da bateria que se encontra na base do microscópio. Insira a bateria no compartimento que corresponde à polaridade indicada. A bateria tem de estar totalmente carregada antes de ligar o microscópio pela primeira vez. Ligue o cabo de alimentação à tomada do cabo de alimentação no corpo do microscópio (11) e ligue-o a uma fonte de alimentação. O indicador do estado da bateria (15) acende-se a vermelho. Quando a bateria estiver totalmente carregada, o indicador apaga-se. Poderá então desligar o microscópio da fonte de alimentação e ligá-lo. A bateria totalmente carregada permite utilizar o microscópio durante duas horas. A iluminação ficará fraca e a qualidade da imagem diminuirá para informá-lo de que a bateria tem pouca carga. Carregue a bateria, conforme descrito acima.

É necessário um cartão microSD (comprado em separado) para guardar imagens capturadas e vídeos gravados. Desligue o microscópio e insira o cartão microSD na ranhura correspondente no corpo do microscópio até que fique encaixado com um clique. Não aplique demasiada força ao inserir o cartão microSD. Tente rodar o cartão, se não ficar encaixado com facilidade. Formate o cartão antes de o utilizar.

Para ligar o microscópio, prima o botão ligar/desligar (16). Para desligar o microscópio, prima o botão ligar/desligar (16) novamente (consulte "Poupança de energia" para obter mais informações).

Nunca, em qualquer circunstância, olhe diretamente para o Sol, ou para outra fonte de luz intensa, ou para um laser através deste dispositivo, pois isso pode causar DANOS PERMANENTES À RETINA e pode levar à CEGUEIRA.



Ícone do modo de captura de imagem



Ícone do modo de captura em sequência

00013/01618

Contador de imagens capturadas/número total de imagens que podem ser capturadas (com base na resolução atual)



Ícone de estado de MicroSD

5.0M

Resolução de imagem atual



Indicador do estado da bateria

Nota: os ícones da interface podem ser ocultados premindo a roda de ajuste da ampliação (10).

Utilização do microscópio

Captura de uma imagem

Ligue o microscópio e coloque um espécime na lâmina. Ajuste o brilho da iluminação, de modo que o espécime esteja uniformemente iluminado. Altere a ampliação e foque, se necessário. Em seguida, fixe os resultados com o botão de bloqueio da focagem (7). Prima o botão do obturador (8).

Gravação de um vídeo

Prima a tecla ◀ (16) para mudar para o modo de vídeo. O ícone no canto superior esquerdo do ecrã será alterado ao confirmar. Prima o botão do obturador (8) para iniciar a gravação e prima novamente para parar.

Reprodução de vídeos gravados

Prima a tecla ◀ (16) para mudar para o modo de reprodução. O ícone no canto superior esquerdo do ecrã será alterado ao confirmar. Selecione o clipe de vídeo pretendido com as teclas de deslocamento (16) e prima **OK** para reproduzir.

Eliminação de ficheiros

Ao pesquisar ficheiros guardados, prima a tecla de chave inglesa (16), selecione **Delete...** (Eliminar...) e prima **OK** para confirmar a seleção (pode optar por eliminar tudo ou apenas o ficheiro selecionado no menu apresentado).

Proteção de ficheiros

Ao pesquisar ficheiros guardados, prima a tecla de chave inglesa (16), selecione **Protect** (Proteger) e prima **OK** para confirmar a seleção (pode optar por proteger tudo ou apenas o ficheiro selecionado no menu apresentado).

Apresentação de diapositivos

Ao pesquisar ficheiros guardados, prima a tecla de chave inglesa (16), selecione **Slide Show** (Apresentação de diapositivos) e prima **OK** para confirmar a seleção.

Modo de cor da interface

Ao pesquisar ficheiros guardados, prima a tecla ▲ para alternar entre os modos de cor da interface existentes.

Ampliação

Desloque a roda de ajuste da ampliação (10) para aumentar ou diminuir o zoom.

Nota: o intervalo de ampliação do Levenhuk DTX 500 LCD é 1—4x.

Transferência de ficheiros para um computador

Ligue o microscópio ao computador com um cabo USB e, quando aparecer a janela de reprodução automática, opte por utilizar o microscópio como dispositivo de armazenamento externo.

Menu principal

Prima a tecla de chave inglesa (16) para abrir o menu principal. Neste menu, pode definir a resolução da imagem, ajustar a qualidade e a nitidez da imagem, bem como definir parâmetros para a captura em sequência.

Resolução

Selecione **Resolution** (Resolução) no menu principal e escolha a resolução de imagem necessária. Prima **OK** para confirmar a seleção.

Nota: o modelo suporta as seguintes resoluções: VGA / 1,3M / 3M / 5M / 8M / 12M.

Captura em sequência

Selecione **Timer** (Temporizador) no menu principal e defina o número total de imagens a serem capturadas na janela de diálogo **Frames** (Fotogramas). Confirme a sua seleção premindo em **OK**. Será apresentada uma nova janela de diálogo onde pode definir o intervalo entre as imagens utilizando as teclas ▲ e ▼. Prima **OK** para confirmar e ◀ para voltar ao modo de captura. Prima o botão do obturador para começar a capturar imagens. O ícone situado no canto superior esquerdo será alterado ao confirmar. Assim que o número de imagens definido for capturado, o ecrã volta ao modo de captura padrão. Prima o botão do obturador em qualquer altura para parar a captura em sequência.

Qualidade

Selecione **Quality** (Qualidade) no menu principal e escolha uma das definições existentes. Assim, irá alterar a taxa de compressão das imagens capturadas.

Nitidez

Selecione **Sharpness** (Nitidez) no menu principal e escolha uma das definições existentes.

Idioma

Selecione **Language** (Idioma) no menu principal e escolha uma das definições existentes. Prima **OK** para confirmar a seleção.

Poupança de energia

Selecione **Power Save** (Poupança de energia) no menu principal e defina o tempo de inatividade antes de o microscópio desligar automaticamente.

Frequência de apresentação

Selecione **Frequency** (Frequência) no menu principal e escolha uma das definições existentes. Prima **OK** para confirmar a seleção.

Apresentação de data e hora

Selecione **Date Stamp** (Carimbo de data) no menu principal e escolha uma das definições existentes. Pode optar por apresentar a data ou tanto a data como a hora. Prima **OK** para confirmar a seleção.

Ligação à TV

Selecione **TV Out** (Saída de TV) no menu principal e escolha uma das definições existentes. Prima **OK** para confirmar a seleção.

Data e hora

Selecione **Date/Time** (Data/hora) no menu principal e defina a data e hora atuais. Prima **OK** para confirmar a entrada. Também pode escolher um dos seguintes formatos de data: AA/MM/DD, DD/MM/AA ou MM/DD/AA.

Formatação do cartão SD

Selecione **Format SD** (Formato SD) no menu principal para formatar o cartão de memória instalado.

Repor definições

Selecione **Sys. Reset** (Reposição do sistema) no menu principal para reverter para as definições de fábrica.

Versão do hardware

Selecione **Version** (Versão) no menu principal para verificar a versão atual do hardware.

Ligação do microscópio a um televisor

Ligue o cabo RCA ao microscópio e ligue-o ao seu televisor (consulte o manual do utilizador do televisor para obter informações adicionais). Ligue a TV e selecione o canal correto no menu correspondente do televisor (consulte o manual do utilizador do seu televisor para obter informações adicionais).

Software PortableCapture Pro

Insira o CD de instalação na unidade de CD. A janela do menu principal será apresentada. Selecione o **software PortableCapture** para instalar a aplicação PortableCapture Pro. Tenha em atenção que será necessário reiniciar o sistema durante a instalação. O CD de instalação contém uma cópia deste manual do utilizador, que pode ler clicando na entrada correspondente no Menu principal.

Ligue o microscópio ao PC com um cabo USB e execute a aplicação PortableCapture Pro. Uma mensagem de pop-up irá avisar se o microscópio não estiver ligado ao PC.

Nota: as teclas de função estão desativadas quando o microscópio está ligado a um computador como câmara. O microscópio é utilizado através da aplicação PortableCapture Pro. Todas as imagens e vídeos serão guardados no disco rígido do computador.



Captura de imagem



Iniciar e parar gravação de vídeo



Captura em sequência (pode definir a hora para começar a capturar imagens ou vídeos, o intervalo entre capturas, a duração do vídeo e o número de imagens ou vídeos a serem capturados)



Modo de ecrã inteiro. Para sair do modo de ecrã inteiro, prima o botão **Escape** no seu teclado ou clique duas vezes em qualquer lugar no ecrã



Guardar como



Desenhar



Copiar para a área de transferência



Texto



Copiar ficheiro



Medição



Imagem anterior



Calibração



Imagem seguinte



Anular a última ação



Repetir a última ação

File (Ficheiro)

Photos Directory (Diretório de fotografias): definir um diretório para imagens capturadas.

Videos Directory (Diretório de vídeos): definir um diretório para vídeos gravados.

Options (Opções)

Resolution (Resolução): definir a resolução das imagens.

Date/Time (Data/hora): ocultar ou apresentar a data e a hora da captura durante a pré-visualização.

Language (Idioma): alterar o idioma da interface do utilizador.

Crossing (Cruzamento): ocultar ou apresentar uma grelha nas imagens.

Full screen mode (Modo de ecrã inteiro): ir para ecrã inteiro.

Capture (Capturar)

Photo (Fotografia): capturar uma imagem.

Video (Vídeo): gravar um vídeo.

Captura de uma imagem

Clique no ícone correspondente na barra de ferramentas ou selecione **Photo** (Fotografia) no menu **Capture** (Capturar).

Gravação de um vídeo

Clique no ícone correspondente na barra de ferramentas ou selecione **Video** (Vídeo) no menu **Capture** (Capturar).

Captura em sequência

Clique no ícone correspondente na barra de ferramentas. Será apresentada uma janela de diálogo onde pode definir um número de parâmetros para a captura em sequência. Clique no botão de opção **Photo** (Fotografia) para definir a hora para começar a capturar imagens, o intervalo entre capturas e o número total de imagens. Clique no botão de opção **Video** (Vídeo) para definir a hora para começar a gravar vídeos, a duração, o intervalo entre gravações e o número total de cliques.

Calibrar

Antes de calibrar o microscópio, ligue a apresentação em grelha. Para tal, selecione **On** (Ligar) em **Options > Crossing** (Opções > Cruzamento). Por predefinição, a grelha está visível. Coloque a escala de calibração na lâmina e foque. Certifique-se de que o eixo vertical da grelha está paralelo às divisões da escala e capture uma imagem. Clique duas vezes na miniatura de imagem para abri-la numa janela separada.

Clique no ícone correspondente na barra de ferramentas para iniciar a calibração. Utilizando o rato, escolha dois pontos na imagem (tem de saber a distância real entre estes dois pontos). Quando escolher o segundo ponto, será aberta uma janela de diálogo na qual terá de introduzir a distância conhecida no campo **Actual dimension** (Dimensão real). A aplicação irá calcular automaticamente a ampliação da imagem. Clique em **OK** para fechar a caixa de diálogo. A ampliação calculada será apresentada no campo **Magnification** (Ampliação).

Nota: os pontos escolhidos devem formar uma linha horizontal.

Pode verificar os resultados da calibração, medindo a mesma distância com a ferramenta **Any Angle Line** (Qualquer linha de ângulo). Clique no ícone de medições, escolha a ferramenta **Any Angle Line** (Qualquer linha de ângulo) e desenhe uma linha semelhante na imagem. Se a distância medida for igual à distância real, significa que a calibração foi realizada com êxito.

Recalibração

O processo de calibração tem de ser repetido, se a ampliação ou a focagem tiver sido alterada durante as observações. Clique novamente no ícone correspondente na barra de ferramentas e selecione **Reset picture magnification** (Repôr ampliação da imagem) em **Reset magnification** (Repôr ampliação). Repita o processo de calibração, conforme descrito acima. Altere a ampliação e capture algumas imagens. Clique duas vezes numa das miniaturas para abrir a imagem resultante numa janela de pré-visualização. Clique no ícone de calibração na barra de ferramentas e selecione **Set picture magnification** (Definir ampliação de imagem) em **Set magnification** (Definir ampliação). Introduza a ampliação atual na janela de diálogo apresentada e clique em **OK**. Se pretender utilizar a mesma ampliação ao capturar imagens no futuro, clique no ícone de calibração na barra de ferramentas e selecione **Set capture magnification** (Definir ampliação da captura) em **Set magnification** (Definir ampliação).

Medições

Recomenda-se calibrar o sistema antes de continuar com as medições.

Any Angle Line (Qualquer linha de ângulo). Mantenha premido o botão esquerdo do rato para começar a desenhar uma linha. Solte o botão esquerdo do rato para concluir a linha.

Continuous Line (Linha contínua). Utilize esta ferramenta para desenhar uma curva na imagem e medir o comprimento.

Radius Circle (Raio do círculo). Desenhe uma linha reta na imagem. A aplicação irá calcular automaticamente o raio, bem como a circunferência e a área do círculo correspondente.

Diameter Circle (Diâmetro do círculo). Desenhe uma linha reta na imagem. A aplicação irá calcular automaticamente o diâmetro, bem como a circunferência e a área do círculo correspondente.

Three Points Angle (Ângulo de três pontos). Coloque três pontos na imagem com o rato. A aplicação irá calcular automaticamente o valor do ângulo.

Desenho e texto

O PortableCapture Pro permite adicionar desenhos e caixas de texto às suas imagens. Abra uma imagem numa janela de pré-visualização e clique no ícone de **Pencil** (Lápis) na barra de ferramentas. Selecione uma das ferramentas no menu pendente e desenhe algo na imagem. Ao clicar no ícone **TT** na barra de ferramentas, pode editar o tipo de letra e a cor a utilizar nas caixas de texto.

Trabalho com a aplicação para utilizadores Mac OS

Navegue até à pasta **mac** no CD de instalação e copie o ficheiro **PortableCapture Pro** para o ambiente de trabalho. Utilize um cabo USB para ligar o microscópio ao computador. Execute a aplicação PortableCapture Pro, clicando duas vezes no ícone. Pode observar uma imagem ampliada do espécime na janela principal da aplicação. No menu **Options** (Opções), selecione **Preview Size** (Tamanho da pré-visualização) para definir a resolução da imagem. Tenha em atenção que a janela de pré-visualização não pode ser redimensionada (a resolução padrão é 640x480). A resolução da imagem é apresentada no canto inferior esquerdo da janela de pré-visualização.

No menu **Options** (Opções), selecione **Date/Time** (Data/hora) para apresentar ou ocultar a data e a hora da captura durante a pré-visualização.

Clique no ícone correspondente na barra de ferramentas ou selecione **Photo** (Fotografia) no menu **Capture** (Captura). Uma miniatura de imagem será apresentada no lado direito da janela principal. Clique no ícone correspondente na barra de ferramentas ou selecione **Video** (Vídeo) no menu **Capture** (Captura) para iniciar a gravação de um vídeo. Uma miniatura de vídeo será apresentada no lado direito da janela principal.

Nota: durante a gravação, o ícone da câmara de vídeo na barra de ferramentas fica vermelho. Clique no ícone novamente para parar a gravação.

As miniaturas de imagem e vídeo são apresentadas no lado direito da janela principal da aplicação. Clique duas vezes numa miniatura de imagem para abri-la numa janela de pré-visualização separada. A edição de imagens com a aplicação PortableCapture Pro é semelhante ao trabalho com outras aplicações em Mac OS.

Cuidado e manutenção

Nunca, em qualquer circunstância, olhe diretamente para o Sol, ou para outra fonte de luz intensa, ou para um laser através deste dispositivo, pois isso pode causar DANOS PERMANENTES À RETINA e pode levar à CEGUEIRA. Tome as precauções necessárias quando usar o dispositivo com crianças, ou com outras pessoas que não leram, ou não compreenderam totalmente estas instruções. Após desembalar o microscópio e antes de utilizá-lo pela primeira vez, verifique a integridade e a durabilidade de todos os componentes e ligações. Não tente desmontar o dispositivo por conta própria por qualquer motivo. Para fazer consertos de qualquer tipo, por favor entre em contato com seu centro de serviços especializados. Proteja o dispositivo de impactos súbitos e de força mecânica excessiva. Não aplique pressão excessiva quando estiver ajustando o foco. Não aperte demasiado os parafusos de bloqueio. Não toque nas superfícies ópticas com seus dedos. Para limpar o exterior do dispositivo, use apenas lenços especiais para limpeza e ferramentas especiais de limpeza óptica da Levenhuk. Não utilize fluidos corrosivos, nem baseados em acetona para limpar as partes ópticas. Partículas abrasivas, como areia, não devem ser removidas com um pano. Em vez disso, sobre-as, ou retire-as com um pincel suave. Não use o dispositivo por períodos de tempo muito longos, nem o deixe abandonado sob a luz direta do Sol. Mantenha longe de água e alta umidade. Tenha cuidado durante as suas observações, substitua sempre a capa protetora antipoeira quando concluir as observações de modo a proteger o equipamento contra poeiras e manchas. Se não utilizar o microscópio durante muito tempo, guarde as objetivas e os oculares separadamente do microscópio. Guarde o dispositivo em um local seco e fresco, longe de ácidos perigosos e outros produtos químicos, de aquecedores, de fogo e de outras fontes de altas temperaturas. Ao utilizar o microscópio, não o faça próximo de materiais ou substâncias inflamáveis (benzeno, papel, cartão, plástico, etc.), uma vez que a base pode aquecer durante o uso e provocar um incêndio. Desligue sempre o microscópio de uma fonte de alimentação antes de abrir a base ou mudar de lâmpada de iluminação. Independentemente do tipo de lâmpada (halogéneo ou incandescente), deixe arrefecer durante algum tempo antes de a substituir por uma lâmpada do mesmo tipo. Utilize sempre a fonte de alimentação com uma tensão adequada, isto é, indicada nas especificações do novo microscópio. A ligação do equipamento a uma tomada diferente pode danificar o circuito elétrico do microscópio, fundir a lâmpada ou provocar um curto-circuito. Procure um médico imediatamente se uma peça pequena ou uma pilha for engolida.

Instruções de segurança da bateria

Compre sempre baterias do tamanho e grau mais adequados para o uso pretendido. Substitua sempre o conjunto de baterias de uma só vez; tome cuidado para não misturar baterias antigas com novas, ou baterias de tipos diferentes. Limpe os contactos da bateria, e também os do dispositivo, antes da instalação da bateria. Certifique-se de que as baterias estão instaladas corretamente no que respeita à sua polaridade (+ e -). Remova as baterias do equipamento se este não for ser usado por um período prolongado de tempo. Remova as baterias usadas prontamente. Nunca coloque as baterias em curto-circuito, pois isso pode causar altas temperaturas, derrame ou explosão. Nunca aqueça as baterias com o intuito de as reanimar. Não desmonte as baterias. Lembre-se de desligar os dispositivos após a utilização. Mantenha as baterias fora do alcance das crianças, para evitar o risco de ingestão, sufocação ou envenenamento. Use as baterias da forma prescrita pelas leis do seu país.

Especificações

Sensor de imagem	5 Mpx (até 12 Mpx por interpolação)
Ampliação	20–200–500x
Resoluções de imagem disponíveis	12 Mpx, 8 Mpx, 5 Mpx, 3 Mpx, 1,3 Mpx, VGA
Formato de fotografia/vídeo	*.jpeg/*.avi
Cartão de memória	microSD até 32 GB (não incluído)
Lente da objetiva	lente de alta qualidade
Ecrã	ecrã TFT de 3,5", proporção 4:3
Iluminação	sistema de 8 LED com brilho variável
Fonte de alimentação	bateria de íões de lítio (3,7 V/1050 mAh) tempo de funcionamento: 2 horas, tempo de carregamento: 2 horas
Velocidade dos fotogramas	30 fps
Cabo de alimentação	100–240 V, 50/60 Hz; 5 V, saída de 1 A
Idioma do SO	inglês, alemão, francês, espanhol, italiano, português, japonês, chinês
Idiomas do software	inglês, alemão, francês, espanhol, russo, italiano, português, polaco, neerlandês, japonês, coreano, chinês
Dimensões (A x L x P)	227 x 104 x 149 mm
Peso	760 g (com a bateria)

O fabricante reserva-se o direito de efetuar alterações à gama de produtos e especificações sem aviso prévio.

Requisitos do sistema

Sistema operativo: Windows 7/8/10, Mac 10.6–10.15
CPU: pelo menos P4 1,8 GHz, RAM: 512 MB, interface: USB 2.0

Garantia vitalícia internacional

Todos os telescópios, microscópios, binóculos ou outros produtos ópticos Levenhuk, exceto seus acessórios, são acompanhados de **garantia vitalícia** contra defeitos dos materiais e acabamento. A garantia vitalícia é uma garantia para a vida útil do produto no mercado. Todos os acessórios Levenhuk têm garantia de materiais e acabamento livre de defeitos por **dois anos** a partir da data de compra. A Levenhuk irá reparar ou substituir o produto ou sua parte que, com base em inspeção feita pela Levenhuk, seja considerado defeituoso em relação aos materiais e acabamento. A condição para que a Levenhuk repare ou substitua tal produto é que ele seja enviado à Levenhuk juntamente com a nota fiscal de compra.

Para detalhes adicionais, visite nossa página na internet: www.levenhuk.eu/warranty

Se surgirem problemas relacionados à garantia ou se for necessária assistência no uso do produto, contate a filial local da Levenhuk.

Levenhuk DTX 500 LCD

Цифровой микроскоп

RU

Никогда не смотрите в прибор на Солнце, на источник яркого света и лазерного излучения — ЭТО ОПАСНО ДЛЯ ЗРЕНИЯ И МОЖЕТ ПРИВЕСТИ К СЛЕПОТЕ!

Устройство микроскопа

- | | |
|-----------------------------|--|
| 1 ЖК-дисплей | 9 Колесо регулировки яркости освещения |
| 2 Разъем для карты MicroSD | 10 Колесо регулировки увеличения |
| 3 Колесо точной фокусировки | 11 Разъем кабеля питания |
| 4 Тубус микроскопа | 12 AV-разъем |
| 5 Предметный столик | 13 Разъем USB |
| 6 Колесо грубой фокусировки | 14 Батарейный отсек |
| 7 Индикатор фокусировки | 15 Индикатор заряда батареи |
| 8 Спусковая кнопка затвора | 16 Кнопки управления |

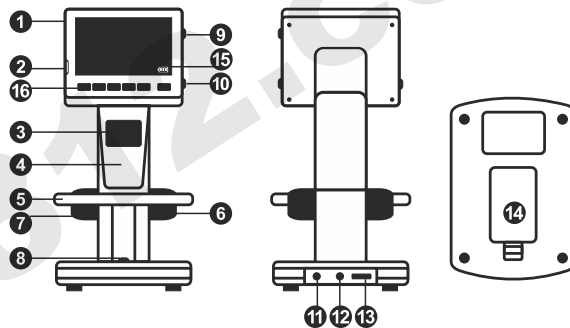
Комплект поставки: микроскоп, аккумулятор, кабель питания, USB-кабель, видеокабель, установочный компакт-диск Levenhuk DTX, шкала калибровки, чистящая салфетка, инструкция по эксплуатации.

Сборка микроскопа

Откройте батарейный отсек, сдвинув крышку. Вставьте аккумулятор в батарейный отсек, соблюдая полярность, указанную внутри батарейного отсека. Перед тем как использовать микроскоп, необходимо зарядить аккумулятор. Для этого вставьте кабель питания в соответствующий разъем на корпусе микроскопа и подключите его к источнику питания. Индикатор заряда батареи загорится красным. Когда аккумулятор полностью зарядится, индикатор погаснет. После этого можно отключить микроскоп от источника питания. Полный заряд аккумулятора позволит вам использовать микроскоп в течение двух часов непрерывной работы. Резкое уменьшение яркости системы освещения и качества изображения означает, что заряд аккумулятора заканчивается.

Для создания снимков и видеороликов потребуется карта microSD (не входит в комплект поставки). Выключите микроскоп и вставьте карту microSD в соответствующий разъем на корпусе микроскопа до щелчка. Не прикладывайте излишних усилий, чтобы не повредить микроскоп или карту microSD. Если у вас не получается вставить карту, убедитесь, что она расположена верно. Перед использованием карты потребуется отформатировать ее.

Для включения микроскопа нажмите кнопку включения (16). Для выключения микроскопа нажмите кнопку включения (16) повторно (см. также раздел «Энергосбережение»).



Сделать снимок



Автоматическая съемка

00013/01618

Счетчик сделанных снимков/Количество снимков, которые можно сделать (в зависимости от выбранного разрешения)



Индикатор установки карты microSD

5.0M

Выбранное разрешение



Индикатор заряда батареи

Примечание: значки можно отключить, нажав колесо регулировки увеличения (10).

Работа с микроскопом

Как сделать снимок

Включите микроскоп и направьте его на интересующий вас объект. Отрегулируйте яркость системы освещения так, чтобы объект был равномерно освещен. Настройте резкость изображения, вращая колесо фокусировки. Достигнув необходимого увеличения и резкости изображения, зафиксируйте эти параметры, повернув фиксатор фокусировки (7). Нажмите спусковую кнопку затвора (8).

Как записать видеоролик

Нажмите кнопку ◀ (16), чтобы перейти в режим видео. Значок в левом верхнем углу дисплея изменится в подтверждение перехода. Нажмите спусковую кнопку затвора (8), чтобы начать запись. Нажмите кнопку повторно, чтобы остановить запись.

Как просмотреть записанный видеоролик

Нажмите кнопку ◀ (16), чтобы перейти в режим просмотра. Значок в левом верхнем углу дисплея изменится в подтверждение перехода. Выберите интересующий вас видеоролик, используя кнопки прокрутки. Нажмите кнопку **OK**, чтобы начать просмотр.

Как удалить документ

Во время просмотра сохраненных документов нажмите кнопку с изображением гаечного ключа (16), выберите пункт **Delete...** и подтвердите выбор, нажав кнопку **OK**. В появившемся меню можно удалить выбранный документ или все существующие документы.

Как защитить документ от удаления

Во время просмотра сохраненных документов нажмите кнопку входа в меню (16), выберите пункт **Protect** и подтвердите выбор, нажав кнопку **OK**. В появившемся меню можно защитить выбранный документ или все существующие документы.

Слайд-шоу

Во время просмотра сохраненных документов нажмите кнопку входа в меню (16), выберите пункт **Slide Show** и подтвердите выбор, нажав кнопку **OK**.

Выбор цветового режима

Во время просмотра сохраненных данных нажмите кнопку ▲, чтобы переключиться между существующими цветовыми режимами.

Увеличение

Воспользуйтесь колесом регулировки увеличения (10), чтобы изменить действующее увеличение.

Примечание: допустимый предел увеличений — от 1x до 4x.

Как загрузить документы на компьютер

Подключите микроскоп к компьютеру через USB-кабель и убедитесь, что подключенное устройство работает как хранилище информации.

Главное меню

Нажмите кнопку с изображением гаечного ключа, чтобы открыть главное меню цифрового микроскопа. В этом меню можно настроить разрешение, качество и резкость снимков, а также настроить автоматическую съемку.

Разрешение

В главном меню перейдите в раздел **Resolution**, а затем выберите необходимое разрешение. Нажмите **OK**, чтобы подтвердить выбор.

Примечание: доступные разрешения: VGA, 1.3M, 3M, 5M, 8M, 12M.

Автоматическая съемка

В главном меню перейдите в раздел **Timer**. В появившемся окне **Frames** можно настроить количество снимков, которое необходимо сделать. Подтвердите выбор, нажав **OK**, и перейдите к следующему окну, чтобы настроить интервал между снимками. Настройка этих параметров осуществляется при помощи кнопок ▲ и ▼. Нажмите **OK**, чтобы подтвердить настройки, а затем нажмите кнопку ◀. Нажмите спусковую кнопку затвора, чтобы начать автоматическую съемку. Значок в левом верхнем углу дисплея изменится в подтверждение начала автоматической съемки. После завершения автоматической съемки дисплей вернется к стандартному виду. Если потребуется остановить автоматическую съемку, нажмите спусковую кнопку затвора.

Качество

В главном меню перейдите в раздел **Quality** и выберите один из существующих вариантов. От этого параметра зависит степень сжатия изображений.

Резкость

В главном меню перейдите в раздел **Sharpness** и выберите один из существующих вариантов.

Язык

В главном меню перейдите в раздел **Language** и выберите один из существующих вариантов. Подтвердите выбор, нажав кнопку **OK**.

Режим энергосбережения

В главном меню перейдите в раздел **Power Save** и установите максимальное время бездействия, через которое микроскоп автоматически отключится.

Частота экрана

В главном меню перейдите в раздел **Frequency** и выберите один из существующих вариантов. Подтвердите выбор, нажав кнопку **OK**.

Отображение даты и времени

В главном меню перейдите в раздел **Date Stamp** и выберите один из существующих вариантов. Здесь можно включить отображение даты и времени или только даты. Подтвердите выбор, нажав кнопку **OK**.

Телевизионный сигнал

В главном меню перейдите в раздел **TV Out** и выберите один из существующих вариантов. Подтвердите выбор, нажав кнопку **OK**.

Дата и время

В главном меню перейдите в раздел **Date/Time** и настройте дату и время. Подтвердите установку, нажав кнопку **OK**. Здесь так же можно выбрать один из следующих форматов отображения даты: ГГ/ММ/ДД, ДД/ММ/ГГ или ММ/ДД/ГГ.

Форматирование карты

В главном меню перейдите в раздел **Format SD**, чтобы отформатировать карту MicroSD.

Сброс настроек

В главном меню перейдите в раздел **Sys. Reset**, чтобы вернуться к заводским настройкам приложения.

Как подключить микроскоп к телевизору

Вставьте видеонаблюдатель в соответствующий разъем на корпусе микроскопа и подключите его к телевизору (RCA-штепелер кабеля следует подключить к желтому AV-разъему телевизора). Включите телевизор и выберите необходимый источник сигнала в соответствующем меню телевизора (процесс подключения внешних устройств к телевизору подробно описан в инструкции по эксплуатации телевизора).

Работа с PortableCapture Pro

Вставьте установочный диск Levenhuk DTX в дисковод. В появившемся диалоговом окне выберите пункт **PortableCapture software**, чтобы установить приложение PortableCapture Pro. Обратите внимание, что во время установки потребуется перезагрузка системы. Вы также можете прочесть инструкцию по эксплуатации, выбрав в диалоговом окне соответствующий пункт.

Подключите микроскоп к компьютеру через USB-кабель и убедитесь, что подключаемое устройство работает как камера. Запустите приложение PortableCapture Pro. Если микроскоп не подключен к компьютеру, при запуске приложения появится соответствующее предупреждение.

Примечание: при подключении микроскопа к компьютеру в режиме камеры кнопки управления отключаются — все команды должны исходить от компьютера. В режиме камеры все созданные документы будут сохраняться на компьютере, а не на карте MicroSD.



Сделать снимок



Начать или приостановить запись видеоролика



Автоматическая съемка: укажите время начала съемки, интервал и общее количество снимков или видеороликов



Полноэкранный режим. Для выхода из полноэкранного режима нажмите клавишу **Escape** или дважды щелкните левой кнопкой мыши в любом месте экрана



Сохранить как



Рисунок



Копировать в буфер обмена



Заметка



Копировать файл



Измерение



Предыдущее изображение



Калибровка



Следующее изображение



Отменить последнее действие



Повторить последнее действие

File (Файл)

Photos Directory (Папка для фото): выбрать папку для сохранения снимков;

Videos Directory (Папка для видео): выбрать папку для сохранения видеороликов;

Options (Опции)

Resolution (Разрешение): выбрать разрешение снимков.

Date/Time (Дата/Время): отображать дату и время во время предпросмотра.

Language (Язык): выбрать язык интерфейса.

Crossing (Сетка): отображать сетку во время работы с приложением.

Full screen mode (Полноэкранный режим): перейти в полноэкранный режим.

Capture (Захват)

Photo (Фото): сделать снимок.

Video (Видео): записать видеоролик.

Как сделать снимок

Нажмите соответствующую кнопку на панели управления или выберите пункт

Photo (Фото)

в меню **Capture** (Захват).

Как записать видео

Нажмите соответствующую кнопку на панели управления или выберите пункт

Video (Видео)

в меню **Capture** (Захват).

Автоматическая съемка

Нажмите соответствующую кнопку на панели управления. В появившемся диалоговом окне можно настроить параметры автоматической фото- или видеосъемки. В разделе **Photo** (Фото) можно установить время начала автоматической съемки, указать интервал съемки и общее количество снимков. В разделе **Video** (Видео) можно установить время начала автоматической съемки, указать продолжительность видеороликов, интервал съемки и общее количество видеороликов.

Калибровка

Для включения визирной сетки выберите пункт **On** (Включить) в разделе **Crossing** (Сетка) меню **Options** (Опции). По умолчанию визирная сетка включена. Визирная сетка поможет вам при работе со шкалой калибровки. Наведите микроскоп на шкалу калибровки и отрегулируйте резкость изображения. Убедитесь, что вертикальная ось визирной сетки параллельна линиям на шкале, и сделайте снимок. Дважды щелкните левой кнопкой мыши полученное изображение, чтобы открыть окно предварительного просмотра. Нажмите соответствующую кнопку на панели инструментов, чтобы приступить к калибровке. При помощи мыши выберите две точки на изображении, расстояние между которыми вам известно. После выбора второй точки откроется диалоговое окно. Введите фактическое расстояние между двумя точками в разделе **Actual dimension** (Реальный размер). Программа автоматически вычислит масштаб увеличения. Нажмите **OK**, чтобы закрыть диалоговое окно. После этого в разделе **Magnification** (Масштаб) появится вычисленный масштаб.

Примечание: проведенная линия должна быть горизонтальной.

Проверьте результат калибровки, измерив то же расстояние при помощи инструмента **Any Angle Line** (Прямая). Для этого нажмите кнопку измерений и выберите пункт **Any Angle Line**. Если измеренное расстояние совпадает с фактическим, калибровка выполнена успешно.

Повторная калибровка

Если в процессе работы вы изменили увеличение и заново настроили резкость изображения, вам придется повторить процесс калибровки. Для этого нажмите соответствующую кнопку на панели управления в окне предварительного просмотра и выберите пункт **Reset picture magnification** (Сбросить масштаб изображения) в разделе **Reset magnification** (Сбросить масштаб). После этого вы сможете повторить процесс калибровки (см. раздел «Калибровка»). Измените увеличение и сделайте несколько снимков. Откройте одно из полученных изображений в режиме предварительного просмотра, нажмите кнопку калибровки на панели инструментов и выберите пункт **Set picture magnification** (Установить масштаб изображения) в разделе **Set magnification** (Установить масштаб). В появившемся диалоговом окне введите масштаб увеличения и нажмите **OK**. Если вы хотите использовать аналогичное увеличение при создании снимков, нажмите кнопку калибровки на панели инструментов и выберите пункт **Set capture magnification** (Установить масштаб съемки) в разделе **Set magnification** (Установить масштаб). После этого все изображения будут создаваться с указанным увеличением.

Измерение

Перед измерениями рекомендуется произвести калибровку системы.

Any Angle Line (Прямая). Нажмите левую кнопку мыши в начальной точке и проведите линию. Отпустите левую кнопку мыши в конечной точке.

Continuous Line (Непрерывная линия). При помощи этого инструмента можно измерить длину нарисованной вами кривой линии.

Radius Circle (Радиус). Проведите прямую линию, соответствующую радиусу круга. Программа рассчитает радиус, а также длину и площадь окружности.

Diameter Circle (Диаметр). Проведите прямую линию, соответствующую диаметру круга. Программа рассчитает диаметр, а также длину и площадь окружности.

Three Points Angle (Угол). Выберите любые три точки на изображении при помощи мыши. Программа рассчитает величину угла.

Рисунок и текст

При помощи приложения **PortableCapture Pro** вы можете добавлять рисунки или тексты на созданные изображения. При нажатии кнопки с изображением карандаша на панели управления в окне предварительного просмотра появится выпадающее меню. В нем можно выбрать любой из существующих инструментов для создания рисунков, а также настроить некоторые параметры. При нажатии кнопки с изображением двух букв «Т» на панели управления в окне предварительного просмотра появится выпадающее меню, в котором вы можете настроить шрифт и цвет надписи.

Работа с приложением на Mac OS

Откройте папку **mac** на установочном диске Levenhuk DTX и скопируйте файл PortableCapture Pro на рабочий стол. Подключите микроскоп к компьютеру через USB-кабель. Откройте приложение PortableCapture Pro, дважды щелкнув значок **PortableCapture Pro**.

В разделе **Preview Size** меню **Options** можно установить разрешение создаваемых снимков. Обратите внимание, что размер окна предварительного просмотра изменить нельзя (стандартное разрешение — 640x480), а установленное разрешение снимка отображается в левом нижнем углу.

В разделе **Date/Time** меню **Options** можно указать, будет ли отображаться время и дата создания снимка во время предварительного просмотра.

Чтобы сделать снимок или записать видеоролик, нажмите соответствующую кнопку на панели управления или выберите пункт **Photo** или **Video** в меню **Capture**.

Эскиз сделанного снимка или видеоролика появится в списке в правой части главного окна приложения. Дважды щелкните эскиз изображения, чтобы открыть его в окне предварительного просмотра, или щелкните мышью эскиз видеоролика, чтобы проиграть видеоролик. Процесс работы с изображениями не отличается от других процессов работы на Mac OS.

Меры предосторожности

Никогда не смотрите в прибор на Солнце, на источник яркого света и лазерного излучения — ЭТО ОПАСНО ДЛЯ ЗРЕНИЯ И МОЖЕТ ПРИВЕСТИ К СЛЕПОТЕ! Будьте внимательны, если используете прибором вместе с детьми или людьми, не знакомыми с инструкцией. После вскрытия упаковки и установки микроскопа проверьте каждый компонент. Не разбирайте прибор. Сервисные и ремонтные работы могут проводиться только в специализированном сервисном центре. Оберегайте прибор от резких ударов и чрезмерных механических воздействий. Не прикладывайте чрезмерных усилий при настройке фокуса. Не затягивайте стопорные и фиксирующие винты слишком туго. Не касайтесь пальцами поверхностей линз. Для внешней очистки прибора используйте специальную салфетку и специальные чистящие средства Levenhuk для очистки оптики. Не используйте для чистки средства с абразивными или коррозионными свойствами и жидкости на основе ацетона. Абразивные частицы (например, песок) следует не стирать, а сдувать или смахивать мягкой кисточкой. Не подвергайте прибор длительному воздействию прямых солнечных лучей. Не используйте прибор в условиях повышенной влажности и не погружайте его в воду. Работайте с микроскопом аккуратно, надевайте на него пылезащитный чехол после работы, чтобы защитить его от пыли и масляных пятен. Если объективы и окуляры не используются долгое время, храните их упакованными в сухую коробку, отдельно от микроскопа. Храните прибор в сухом прохладном месте, недоступном для воздействия кислот или других активных химических веществ, вдали от отопителей (бытовых, автомобильных) и от открытого огня и других источников высоких температур. Не используйте микроскоп рядом с воспламеняемыми материалами, так как основание микроскопа может нагреться во время работы. Всегда отключайте микроскоп от электросети, прежде чем открывать батарейный отсек или менять лампу подсветки. Перед заменой лампы дайте ей остыть и всегда меняйте ее на лампу того же типа. Используйте источник питания, соответствующий напряжению сети, иначе может сгореть лампа, могут произойти повреждение электросхемы микроскопа или короткое замыкание. Дети могут пользоваться прибором только под присмотром взрослых. Если деталь прибора или элемент питания были проглочены, срочно обратитесь за медицинской помощью.

Использование элементов питания

Всегда используйте элементы питания подходящего размера и соответствующего типа. При необходимости замены элементов питания меняйте сразу весь комплект, не смешивайте старые и новые элементы питания и не используйте элементы питания разных типов одновременно. Перед установкой элементов питания очистите контакты элементов и контакты в корпусе прибора. Устанавливайте элементы питания в соответствии с указанной полярностью (+ и -). Если прибор не используется длительное время, следует вынуть из него элементы питания. Оперативно вынимайте из прибора использованные элементы питания. Не пытайтесь перезаряжать гальванические элементы питания - они могут протечь, воспламениться или взорваться. Никогда не закорачивайте полюса элементов питания – это может привести к их перегреву, протечке или взрыву. Не пытайтесь нагревать элементы питания, чтобы восстановить их работоспособность. Выключайте прибор после использования. Храните элементы питания в недоступном для детей месте, чтобы избежать риска их проглатывания, удушья или отравления.

Технические характеристики

Разрешение матрицы	5 Мпикс (с интерполяцией до 12 Мпикс)
Доступные разрешения	12 Мпикс, 8 Мпикс, 5 Мпикс, 3 Мпикс, 1,3 Мпикс, VGA
Увеличение	20–200–500x
Фото/видео	*.jpeg/*.avi
Поддержка карт памяти	microSD до 32 ГБ (в комплект не входит)
Объектив	высококачественная линза
Дисплей	3,5" (8,9 см) TFT-дисплей, 4:3
Источник освещения	8 светодиодов с регулируемой яркостью
Питание	Li-ion аккумулятор 3,7 В/1050 мА ч время работы: 2 часа, время зарядки: 2 часа
Частота	30 кадров в секунду
Кабель питания	100-240 В, 50/60 Гц; 5 В, 1 А на выходе
Язык операционной системы	английский, немецкий, французский, испанский, итальянский, португальский, японский, китайский
Язык ПО	Английский, немецкий, французский, испанский, русский, итальянский, португальский, польский, голландский, японский, корейский, китайский
Габариты (Д x Ш x В)	227 x 104 x 149 мм
Вес	760 г (с аккумулятором)

Производитель оставляет за собой право вносить любые изменения в модельный ряд и технические характеристики или прекращать производство изделия без предварительного уведомления.

Требования к системе

Операционная система Windows 7/8/10, Mac 10.6–10.15
ЦПУ от P4 1,8 ГГц, ОЗУ от 512 МБ, видеокарта от 64 МБ, разъем USB 2.0, CD-ROM

Международная пожизненная гарантия Levenhuk

Компания Levenhuk гарантирует отсутствие дефектов в материалах конструкции и дефектов изготовления изделия. Продавец гарантирует соответствие качества приобретенного вами изделия компании Levenhuk требованиям технической документации при соблюдении потребителем условий и правил транспортировки, хранения и эксплуатации изделия. Срок гарантии: на аксессуары — **6 (шесть) месяцев** со дня покупки, на остальные изделия — **пожизненная гарантия** (действует в течение всего срока эксплуатации прибора).

Подробнее об условиях гарантийного обслуживания см. на сайте www.levenhuk.ru/support

По вопросам гарантийного обслуживания вы можете обратиться в ближайшее представительство компании Levenhuk.

Levenhuk DTX 500 LCD

Dijital Mikroskop

TR

Mikroskop parçaları

- | | |
|--------------------------|--------------------------|
| 1 LCD ekran | 9 Parlaklık ayarı tekeri |
| 2 MicroSD kart yuvası | 10 Büyütme ayarı tekeri |
| 3 İnce odaklama düğmesi | 11 Güç kablosu prizi |
| 4 Mikroskop optik tüpü | 12 RCA soketi |
| 5 Lamel yuvası | 13 USB soketi |
| 6 Kaba odaklama düğmesi | 14 Pil bölmesi |
| 7 Odak kilitleme düğmesi | 15 Pil durumu göstergesi |
| 8 Deklanşör düğmesi | 16 İşlev tuşları |

Kit içeriği: mikroskop, yeniden şarj edilebilir pil, güç kablosu, USB kablosu, RCA kablosu, Levenhuk DTX kurulum CD'si, temizleme bezi, kullanıcı kılavuzu, kalibrasyon ölçeği.

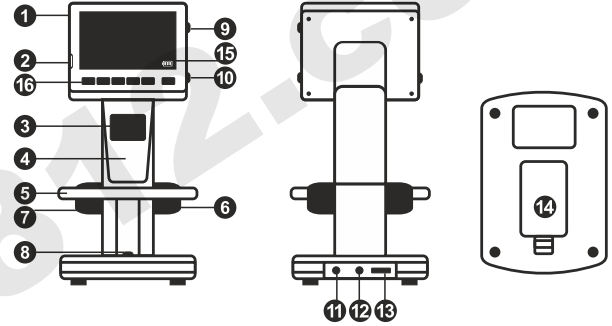
Mikroskop kurulumu

Mikroskop tabanının altındaki pil bölmesini açın. Pili gösterilen kutuplarla eşleşecek şekilde pil bölmesine yerleştirin. Mikroskopun ilk çalıştırılmasından önce pil tamamen şarj edilmiş olmalıdır. Güç kablosunu mikroskop gövdesinin üzerindeki güç kablosu soketine takın (11) ve bir güç kaynağına bağlayın. Pil durumu göstergesi kırmızıya (15) döner. Pil tamamen şarj edilince, gösterge kaybolacaktır. Artık güç kaynağından mikroskopun bağlantısını kesebilir ve çalıştırabilirsiniz. Tamamen şarj edilmiş pil mikroskopu iki saat kullanmanızı sağlar. Pilin düşük seviyede olduğunu size bildirmek için aydınlatma kısalmaya başlar ve görüntü kalitesi düşer. Pili yukarıda açıklandığı gibi değiştirin.

Yakalanan görüntüleri ve kaydedilen videoları saklamak için bir microSD kart (ayrı olarak satılır) gereklidir. Mikroskopu kapatın ve microSD kartı bir klik sesiyle beraber yerine kilitlenen kadar mikroskop gövdesi üzerindeki ilgili yuvasına yerleştirin. MicroSD kartı yerleştirirken aşırı güç uygulamayın. Yerine kolaylıkla kilitlemezse, kartı ters çevirmeyi deneyin. Kullanmadan önce karta format atın.

Güç düğmesine (16) basarak mikroskopu çalıştırın. Yeniden güç düğmesine (16) basarak mikroskopu kapatın (daha fazla bilgi için Güç tasarrufu bölümüne bakın).

RETİNADA KALICI HASARA neden olabileceğinden ve KÖRLÜĞE yol açabileceğinden kesinlikle, hiçbir koşul altında Güneşe, başka bir parlak ışık kaynağına ya da bu cihaz aracılığıyla bir lazere doğrudan bakmayın.



Görüntü yakalama modu simgesi



Aralıklı yakalama modu simgesi

00013/01618

Yakalanan görüntü sayacı/Yakalanan görüntülerin toplam sayısı (mevcut çözünürlüğe bağlı olarak)



MicroSD durum simgesi

5.0M

Mevcut görüntü çözünürlüğü



Pil durumu göstergesi

Not: arayüz simgeleri büyütme ayarı tekerine (10) basılarak gizlenebilir.

Mikroskobun kullanımı

Bir görüntünün kaydedilmesi

Mikroskobu çalıştırın ve lamel üzerine bir örnek yerleştirin. Aydınlatma parlaklığını ayarlayın, böylece örnek eşit oranda aydınlanır. Gerekirse görüşünüzdeki büyütme ve odak ayarını değiştirin, değiştirdiğiniz ayarı sabitlemek için odak kilitleme düğmesini (7) kullanın. Deklanşör düğmesine (8) basın.

Video kaydı

Video moduna geçmek için ◀ tuşuna (16) basın. Onaylandığı zaman ekranın üst sol köşesindeki simge değişecektir. Kaydı başlatmak için deklanşör düğmesine (8) basın ve durdurmak için yeniden basın.

Kaydedilen videoları oynatma

Oynatma moduna geçmek için ◀ tuşuna (16) basın. Onaylandığı zaman ekranın üst sol köşesindeki simge değişecektir. Kaydırma tuşları (16) ile istediğiniz video klibi seçin ve oynatma için OK seçeneğine basın.

Dosya silme

Kaydedilen dosyalara göz atarken, Anahtar tuşuna (16) basın, **Delete** (Sil) seçeneğini seçin, seçimi onaylamak için OK (Tamam) seçeneğine basın (görüntülenen menüden her şeyi sil ya da yalnızca seçilen dosyayı sil seçeneklerini seçebilirsiniz).

Dosya koruma

Kaydedilen dosyalara göz atarken, **Anahtar** tuşuna (16) basın, **Protect** (Koru) seçeneğini seçin, seçimi onaylamak için OK (Tamam) seçeneğine basın (görüntülenen menüden her şeyi koru ya da yalnızca seçilen dosyayı koru seçeneklerini seçebilirsiniz).

Slayt gösterisi

Kaydedilen dosyalara göz atarken, **Anahtar** tuşuna (16) basın, **Slide Show** (Slayt gösterisi) seçeneğini seçin, seçimi onaylamak için OK (Tamam) seçeneğine basın.

Arayüz renk modu

Kaydedilen dosyalara göz atarken, mevcut arayüz renk modları arasında geçiş yapmak için ▲ tuşuna basın.

Büyütme

Görüşünüzü yakınlaştırmak veya uzaklaştırmak için büyütme ayarı tekerini (10) kaydırın.

Not: Levenhuk DTX 500 LCD'nin büyütme aralığı 1—4x'dir.

Bir bilgisayara dosya aktarma

Mikroskobu bir USB kablosu ile bilgisayarınıza bağlayın ve AutoPlay (Otomatik oynat) penceresi belirlediği zaman mikroskobu harici bir depolama cihazı olarak kullanmak için bu seçeneği seçin.

Ana menü

Ana menüyü açmak için **Anahtar** tuşuna (16) basın. Bu menüden görüntü çözünürlüğü, görüntü kalitesi ve netliğini ayarlayabilir ve ayrıca aralıklı yakalama için parametreler belirleyebilirsiniz.

Çözünürlük

Ana menüdeki **Resolution** (Çözünürlük) seçeneğini seçin ve gerekli görüntü çözünürlüğünü belirleyin. Seçimi onaylamak için OK (Tamam) seçeneğine basın.

Not: model aşağıdaki çözünürlük değerlerini destekler: VGA / 1,3M / 3M / 5M / 8M / 12M.

Aralıklı yakalama

Ana menüden **Timer** (Zamanlayıcı) seçeneğini seçin ve **Frames** (Kareler) iletişim penceresi içinde yakalanan toplam görüntü sayısını ayarlayın. **OK** (Tamam) seçeneğine basarak seçiminizi onaylayın. ▲ ve ▼ tuşlarını kullanarak görüntüler arasındaki aralığı ayarlarken yeni bir iletişim penceresi belirir. Onaylamak için OK (Tamam) seçeneğine ve yakalama moduna geri dönmek için de ◀ tuşuna basın. Görüntü yakalamaya başlamak için deklanşör düğmesine basın. Onaylandığı zaman üst sol köşedeki simge değişecektir. Yakalanan görüntü sayısı belirlendiği zaman, ekran standart yakalama moduna geri döner. Aralıklı yakalamayı durdurmak için istediğiniz zaman deklanşör düğmesine basın.

Kalite

Ana menüden **Quality** (Kalite) seçeneğini ve ardından mevcut ayarlardan birini seçin. Bu, yakalanan görüntülerin sıkıştırma oranını değiştirir.

Netlik

Ana menüden **Sharpness** (Netlik) seçeneğini ve ardından mevcut ayarlardan birini seçin.

Dil

Ana menüden **Language** (Dil) seçeneğini ve ardından mevcut ayarlardan birini seçin. Seçimi onaylamak için OK (Tamam) seçeneğine basın.

Güç tasarrufu

Ana menüden **Power Save** (Güç tasarrufu) seçeneğini seçin ve mikroskop otomatik olarak kapanmadan önce boşa kalma süresini belirleyin.

Görüntüleme sıklığı

Ana menüden **Frequency** (Sıklık) seçeneğini ve ardından mevcut ayarlardan birini seçin. Seçimi onaylamak için OK (Tamam) seçeneğine basın.

Tarih ve saat ekranı

Ana menüden **Date Stamp** (Tarih damgası) seçeneğini ve ardından mevcut ayarlardan birini seçin. Tarih veya hem tarih hem de saat görüntüleme seçenekleri arasında seçim yapabilirsiniz. Seçimi onaylamak için OK (Tamam) seçeneğine basın.

TV bağlantısı

Ana menüden **TV Out** (TV çıkışı) seçeneğini ve ardından mevcut ayarlardan birini seçin. Seçimi onaylamak için **OK** (Tamam) seçeneğine basın.

Tarih ve saat

Ana menüden **Date/Time** (Tarih/Saat) seçeneğini seçin ve mevcut tarih ve saati ayarlayın. Girdiyi onaylamak için **OK** (Tamam) seçeneğine basın. Ayrıca aşağıdaki tarih biçimlerinden birini de seçebilirsiniz: YY/AA/GG, GG/AA/YY veya AA/GG/YY.

SD karta format atma

Yüklenen hafıza kartına format atmak için ana menüden **Format SD** (SD karta format at) seçeneğini seçin.

Ayarların sıfırlanması

Ana menüden **Sys. Reset** (Sys. sıfırla) seçeneğini seçerek fabrika ayarlarına geri dönün.

Donanım sürümü

Mevcut donanım sürümünü kontrol etmek için ana menüden **Version** (Sürüm) seçeneğini seçin.

Mikroskobu bir TV setine bağlamak

RCA kabloğunu mikroskoba takın ve TV setinize bağlayın (ek bilgi için TV setinizin Kullanıcı Kılavuzuna bakın). TV'yi açın ve TV setinin ilgili menüsünden doğru kanalı seçin (ek bilgi için TV setinizin Kullanıcı Kılavuzuna bakın).

PortableCapture Pro yazılımı

Kurulum CD'sini CD sürücünüze yerleştirin. Ana Menü penceresi görüntülenecektir. PortableCapture Pro uygulamasını yüklemek için **PortableCapture yazılımı** seçeneğini seçin. Kurulum sırasında sistemin yeniden başlatılmasının gerekeceğini unutmayın. Kurulum CD'si, bu Kullanım Kılavuzunun Ana Menüde ilgili girdiyi tıklayarak okuyabileceğiniz bir kopyasını içerir.

Mikroskobu bir USB kabloğu ile bilgisayarınıza bağlayın ve PortableCapture Pro uygulamasını çalıştırın. Mikroskobun bilgisayara bağlı olmaması durumunda bir açılır mesaj sizi uyaracaktır.

Not: mikroskop bir bilgisayara kamera olarak bağlandığı zaman işlev tuşları devre dışı bırakılır. Mikroskop PortableCapture Pro uygulaması üzerinden kullanılır. Tüm görüntüler ve videolar bilgisayarın sabit diskine kaydedilir.



Bir görüntüyü kaydedin



Video kaydını başlatın ve durdurun



Aralık kaydı (görüntülerin veya videoların kaydedilmeye başlanacağı saati, bunlar arasındaki süreyi, video süresini ve kaydedilecek görüntü ve video sayısını belirleyebilirsiniz)



Tam ekran modu. Tam ekran modundan çıkmak için klavyenizdeki **Escape** (Esc) tuşuna basın veya ekrandaki herhangi bir noktaya çift tıklayın



Farklı kaydet



Çiz



Panoya kopyala



Metin



Dosyayı kopyala



Ölçüm



Önceki görüntü



Kalibrasyon



Sonraki görüntü



Son işlemi geri al



Son işlemi yinele

File (Dosya)

Photos Directory (Fotoğraf Dizini): kaydedilen görüntüler için bir dizin belirleyin.

Videos Directory (Video Dizini): kaydedilen videolar için bir dizin belirleyin.

Options (Seçenekler)

Resolution (Çözünürlük): görüntü çözünürlüğünü ayarlayın.

Date/Time (Tarih/Saat): önizleme sırasında kaydı tarih ve saatini görüntüleyin veya gizleyin.

Language (Dil): kullanıcı arayüzünün dilini değiştirin.

Crossing (Kesit): görüntüler üzerinde bir kılavuzu gizleyin veya görüntüleyin.

Full screen mode (Tam ekran modu): tam ekrana geçiş yapın.

Capture (Kayıt)

Photo (Fotoğraf): bir fotoğraf kaydedin.

Video: bir video kaydedin.

Bir görüntünün kaydedilmesi

Araç çubuğundaki ilgili simgeye tıklayın veya **Capture** (Kayıt) menüsünden **Photo** (Fotoğraf) öğesini seçin.

Video kaydı

Araç çubuğunda yer alan ilgili simgeye tıklayın veya **Capture** (Kayıt) menüsünden **Video** öğesini seçin.

Aralıklı yakalama

Araç çubuğundan ilgili simgeye tıklayın. Aralık kaydı için bir dizi parametreyi ayarlayabileceğiniz bir iletişim kutusu penceresi görüntülenecektir. Görüntülerin kaydedilmeye başlanacağı saati, görüntüler arasındaki süreyi ve toplam görüntü sayısını ayarlamak için **Photo** (Fotoğraf) seçenek düğmesine tıklayın. Videoların kaydedilmeye başlanacağı saati, süresini, görüntüler arasındaki süreyi ve toplam klip sayısını ayarlamak için **Video** seçenek düğmesine tıklayın.

Kalibrasyon

Mikroskobu kalibre etmeden önce kılavuz görünümünü açın. Bunu yapmak için

Options > Crossing (Seçenekler > Kesit) bölümündeki **On** (Açık) seçeneğini seçin.

Varsayılan olarak kılavuz görünür olacaktır. Kalibrasyon ölçeğini lamel yuvası üzerine yerleştirin ve görüşünüzü odaklayın. Kılavuzun dikey ekseninin ölçek bölümlerine paralel olduğundan emin olun ve bir görüntüyü kaydedin. Aynı bir pencerede açmak için görüntü küçük resmine çift tıklayın.

Kalibrasyona başlamak için araç çubuğunda ilgili simgeye tıklayın. Farenizi kullanarak görüntü üzerinden iki noktayı seçin (bu iki nokta arasındaki gerçek mesafeyi bilmeniz gerekmektedir). İkinci noktayı seçmeniz sonrasında, bilinen mesafeyi **Actual dimension** (Gerçek boyut) alanına girmeniz gereken bir iletişim penceresi açılacaktır. Uygulama, görüntünün büyüme oranını otomatik olarak hesaplayacaktır. İletişim penceresini kapatmak için **OK** (Tamam) seçeneğine tıklayın. Hesaplanan büyüme oranı, **Magnification** (Büyütme oranı) alanında görüntülenecektir.

Not: seçili noktalar bir yatay çizgi oluşturmalıdır.

Aynı mesafeyi **Any Angle Line** (Herhangi bir Açıda Çizgi) aracı ile ölçerek kalibrasyon sonuçlarını kontrol edebilirsiniz. Ölçüm simgesine tıklayın, **Any Angle Line** (Herhangi bir Açıda Çizgi) aracını seçin ve görüntü üzerine benzer bir çizgi çizin. Ölçülen mesafe gerçek mesafeye eşitse, kalibrasyon başarıyla tamamlanmıştır.

Yeniden Kalibrasyon

Gözlemler sırasında büyüme oranı veya odağın değiştirilmesi durumunda kalibrasyon işleminin yinelenmesi gerekir. Araç çubuğundaki ilgili simgeye tekrar tıklayın ve **Reset magnification** (Büyütme oranını sıfırla) kısmından **Reset picture magnification** (Resim büyüme oranını sıfırla) seçimini yapın. Yukarıda açıklanan şekilde kalibrasyon işlemini yineleyin. Büyütme oranını değiştirin ve birkaç görüntü kaydedin. Sonuç olarak elde edilen görüntüyü bir önizleme penceresinde açmak için küçük resimlerden birine çift tıklayın. Araç çubuğunda kalibrasyon simgesine tıklayın ve **Set magnification** (Büyütme oranını ayarla) kısmından **Set picture magnification** (Resim büyüme oranını ayarla) öğesini seçin. Görüntülenen iletişim kutusu penceresinden geçerli büyüme oranını girin ve **OK** (Tamam) öğesine tıklayın. İleride görüntüleri yakalarken aynı büyüme oranını kullanmak isterseniz, araç çubuğundaki kalibrasyon simgesine tıklayın ve **Set magnification** (Büyütme oranını ayarla) bölümünden **Set capture magnification** (Kayıt büyüme oranını ayarla) seçeneğini seçin.

Ölçümler

Ölçümlere devam etmeden önce sistemin kalibre edilmesi önerilir.

Any Angle Line (Herhangi bir Açıda Çizgi). Bir çizgi çizmeye başlamak için sol fare düğmesine basılı tutun. Çizgiyi tamamlamak için sol fare düğmesini bırakın.

Continuous Line (Sürekli Çizgi). Görüntü üzerinde bir eğri çizmek ve uzunluğunu ölçmek için bu aracı kullanın.

Radius Circle (Yarıçap Dairesi). Görüntü üzerine düz bir çizgi çizin. Uygulama yarıçapı ve ilgili dairenin çevresi ile alanını otomatik olarak hesaplayacaktır.

Diameter Circle (Çap Dairesi). Görüntü üzerine düz bir çizgi çizin. Uygulama çapı ve ilgili dairenin çevresi ile alanını otomatik olarak hesaplayacaktır.

Three Points Angle (Üç Noktalı Aç). Farenizle görüntü üzerine üç nokta yerleştirin. Uygulama açılışını otomatik olarak hesaplayacaktır.

Çizim ve metin

PortableCapture Pro, görüntülerinize çizimler ve metin kutuları ekleyebilmenizi sağlar. Önizleme penceresinde bir görüntü açın ve araç çubuğundan **Pencil** (Kurşun Kalem) simgesine tıklayın. Açılır menüden araçlardan birini seçin ve görüntü üzerine bir şey çizin. Araç çubuğundaki **TT** simgesine tıklayarak metin kutularında kullanılacak yazı tipini ve rengini düzenleyebilirsiniz.

Mac OS kullanıcıları için uygulama ile çalışmak

Kurulum CD'sindeki **mac** klasörüne göz atın ve **PortableCapture Pro** dosyasını masaüstüne kopyalayın. Mikroskobu bilgisayarınıza bağlamak için bir USB kablo kullanın. Kendi simgesine çift tıklayarak PortableCapture Pro uygulamasını çalıştırın.

Gözlenen örneğin büyütülmüş görüntüsü, uygulamanın ana penceresinde görülebilir. **Options** (Seçenekler) menüsünden, görüntü çözünürlüğünü ayarlamak için **Preview Size** (Önizleme Boyutu) seçeneğini seçin. Önizleme penceresinin yeniden boyutlandırılmadığını unutmayın (standart çözünürlük 640x480'dir). Görüntü çözünürlüğü önizleme penceresinin sol alt köşesinde gösterilir.

Önizleme sırasında çekim tarihi ve saatini görüntülemek veya gizlemek için, **Options** (Seçenekler) menüsünden **Date/Time** (Tarih/Saat) seçeneğini seçin.

Bir görüntü yakalamak için araç çubuğunda yer alan ilgili simgeye tıklayın veya **Capture** (Çekim) menüsünden **Photo** (Fotoğraf) seçeneğini seçin. Görüntünün küçük resmi, ana pencerenin sağ tarafında görünecektir. Video kaydetmeye başlamak için, araç çubuğunda yer alan ilgili simgeye tıklayın veya **Capture** (Çekim) menüsünden **Video** seçeneğini seçin. Ana pencerenin sağ tarafında video küçük resmi belirecektir.

Not: kayıt sırasında araç çubuğundaki video kamera simgesi kırmızıya dönecektir. Kaydı durdurmak için yeniden simgeye tıklayın.

Görüntü ve video küçük resimleri, uygulamanın ana penceresinin sağ tarafında görüntülenir. Aynı bir önizleme penceresinde açmak için görüntünün küçük resmine çift tıklayın. PortableCapture Pro uygulaması ile görüntü düzenleme, Mac OS'taki diğer uygulamalarla benzer şekilde çalışır.

Bakım ve onarım

RETİNADA KALICI HASARA neden olabileceğinden ve KÖRLÜĞE yol açabileceğinden kesinlikle, hiçbir koşul altında Güneşe, başka bir parlak ışık kaynağına ya da bu cihaz aracılığıyla bir lazere doğrudan bakmayın. Cihazı, bu talimatları okumayan veya tamamen anlamayan çocuklar veya diğer kişiler ile birlikte kullanırken gerekli önlemleri alın. Mikroskobunuzu ambalajından çıkardıktan sonra ve ilk defa kullanmadan önce, her bileşenin ve bağlantının sağlığını ve dayanıklılığını kontrol edin. Cihazı herhangi bir nedenle kendi başınıza sökmeye çalışmayın. Tüm onarım ve temizlik işlemleri için lütfen yerel uzman servis merkezine başvurun. Cihazı ani darbelerle ve aşırı mekanik güçlere karşı koruyun. Odağı ayarlarken aşırı basınç uygulamayın. Kilitleme vidalarını aşırı sıkımayın. Optik yüzeylere parmaklarınızla dokunmayın. Cihazın dışını temizlemek için, yalnızca Levenhuk'un özel temizleme bezlerini ve özel optik temizleme aletlerini kullanın. Optiği temizlemek için aşındırıcı veya aseton bazlı sıvılar kullanmayın. Kum gibi aşındırıcı parçacıklar lenslerden silerek temizlenmemeli, bunun yerine üflenmeli veya yumuşak bir fırça ile fırçalanmalıdır. Cihazı uzun süre kullanmayın veya doğrudan güneş ışığında gözetimsiz bırakmayın. Cihazı su ve yüksek nemden uzak tutun. İncelemeleriniz sırasında dikkatli olun, cihazı toz ve lekelerden korumak için incelemelerinizi bitirdikten sonra toz kapağını daima yenisiyle değiştirin. Mikroskobunuzu uzun süre kullanmıyorsanız, objektif lensleri ve göz merceklelerini mikroskoptan ayrı olarak saklayın. Cihazı; tehlikeli asitler ve diğer kimyasallardan, ısıtıclardan, açık ateşten ve diğer yüksek sıcaklık kaynaklarından uzakta kuru, serin bir yerde saklayın. Mikroskobu kullanırken, taban kullanım sırasında ısınabildiğinden ve bir yangın tehlikesi oluşturabildiğinden, yanıcı malzeme veya maddelerin (benzen, kağıt, karton, plastik vb.) yakınında kullanmamaya çalışın. Tabanı açmadan veya aydınlatma lambasını değiştirmeden önce mikroskobu daima bir güç kaynağından çıkarın. Lamba türünden (halojen veya akkor lamba) bağımsız olarak, değiştirmeye çalışmadan önce soğuması için biraz zaman tanıyın ve daima aynı tipte bir lamba ile değiştirin. Güç kaynağını daima uygun voltaja, yani yeni mikroskobunuzun teknik özelliklerinde belirtilen şekilde kullanın. Cihazı farklı bir elektrik prizine takmak mikroskobun elektrik devresine zarar verebilir, lambayı yakabilir ve hatta kısa devreye neden olabilir. Küçük bir parça veya pil yutulursa hemen tıbbi yardım alın.

Pil güvenliği talimatları

Her zaman kullanım amacına en uygun olan boyut ve türden piller satın alın. Eski ve yeni piller ile farklı türlerden pilleri birbiriyle birlikte kullanmamaya özen göstererek pil setini her zaman tamamen değiştirin. Pilleri takmadan önce pil kontaktları ile cihaz kontaktlarını temizleyin. Pillerin kutuplar (+ ve -) açısından doğru bir biçimde takıldığından emin olun. Uzun süreyle kullanılmayacak ekipmanlardaki pilleri çıkarın. Kullanılmış pilleri derhat çıkarın. Aşırı ısınmaya, sızıntıya veya patlamaya neden olabileceğinden kesinlikle pillerde kısa devreye neden olmayan. Yeniden canlandırmak için kesinlikle pilleri ısıtmayın. Pilleri sökmeyin. Cihazı kullanım sonrasında kapatın. Yutma, boğulma veya zehirlenme riskini önlemek için pilleri çocukların erişemeyeceği bir yerde saklayın. Kullanılmış pilleri ülkenizin yasalarında belirtildiği şekilde değerlendirin.

Teknik Özellikler

Görüntü sensörü	5 Mpx (ara değer hesabı ile 12 Mpx)
Büyütme	20–200–500x
Kullanılabilir görüntü çözünürlükleri	12 Mpx, 8 Mpx, 5 Mpx, 3 Mpx, 1,3 Mpx, VGA
Fotoğraf/video biçimi	*.jpeg/*.avi
Bellek kartı	32 GB'a kadar microSD (dahil değildir)
Objektif merceği	yüksek kaliteli mercek
Ekran	3,5" TFT-ekran, 4:3 oran
Aydınlatma	değişken parlaklıkta 8-LED sistemi
Güç kaynağı	lityum-iyon pil (3,7 V/1050 mAh)
	çalışma süresi: 2 saat, şarj süresi: 2 saat
Kare oranı	30 fps
Güç kablosu	100–240 V, 50/60 Hz; 5 V, 1 A çıkış
İşletim Sistemi dili	İngilizce, Almanca, Fransızca, İspanyolca, İtalyanca, Portekizce, Japonca, Çince
Yazılım dilleri	İngilizce, Almanca, Fransızca, İspanyolca, Rusça, İtalyanca, Portekizce, Lehçe, Felemenkçe, Japonca, Korece, Çince
Boyutlar (Y x G x D)	227 x 104 x 149 mm
Ağırlık	760 g (pil ile)

Üretici, ürün serisinde ve teknik özelliklerinde önceden bildirimde bulunmaksızın değişiklik yapma hakkını saklı tutar.

Sistem gereksinimleri

İşletim sistemi: Windows 7/8/10, Mac 10.6~10.15
CPU: en az P4 1,8 GHz, RAM: 512 MB, arayüz: USB 2.0

Levenhuk Uluslararası Ömür Boyu Garanti

Tüm Levenhuk teleskopları, mikroskopları, dürbünleri ve diğer optik ürünleri, aksesuarlar hariç olmak üzere, malzeme ve işçilik kaynaklı kusurlara karşı **ömür boyu garantilidir**. Ömür boyu garanti, piyasadaki ürünün kullanım ömrü boyunca garanti altında olması anlamına gelir. Tüm Levenhuk aksesuarları, perakende satış yoluyla alınmasından sonra **2 yıl** boyunca malzeme ve işçilik kaynaklı kusurlara karşı garantilidir. Bu garanti sayesinde, tüm garanti koşulları sağlandığı takdirde, Levenhuk ofisi bulunan herhangi bir ülkede Levenhuk ürününüz için ücretsiz olarak onarım veya değişim yapabilirsiniz.

Ayrıntılı bilgi için web sitemizi ziyaret edebilirsiniz: www.levenhuk.eu/warranty
Garanti sorunları ortaya çıkarsa veya ürününüzü kullanırken yardıma ihtiyacınız olursa, yerel Levenhuk şubesi ile iletişime geçin.

The original Levenhuk cleaning accessories



Levenhuk Cleaning Pen LP10



Removes dust with a brush

The soft tip is treated with a special cleaning fluid that removes greasy stains

Does not damage optical coatings of the lenses

Leaves no smudges or stains

levenhuk.com

Levenhuk Inc. (USA): 928 E 124th Ave. Ste D, Tampa, FL 33612, USA, +1 813 468-3001, contact_us@levenhuk.com
Levenhuk Optics s.r.o. (Europe): V Chotejně 700/7, 102 00 Prague 102, Czech Republic, +420 737-004-919, sales-info@levenhuk.cz
Levenhuk® is registered trademark of Levenhuk, Inc.
© 2006—2022 Levenhuk, Inc. All rights reserved.
20220315

levenhuk
Zoom&Joy